



**Corrugated hose,
flexible, stainless steel,
DN 25 ISO-KF, length
2000 mm**



PFEIFFER 

Corrugated hose

PFEIFFER 

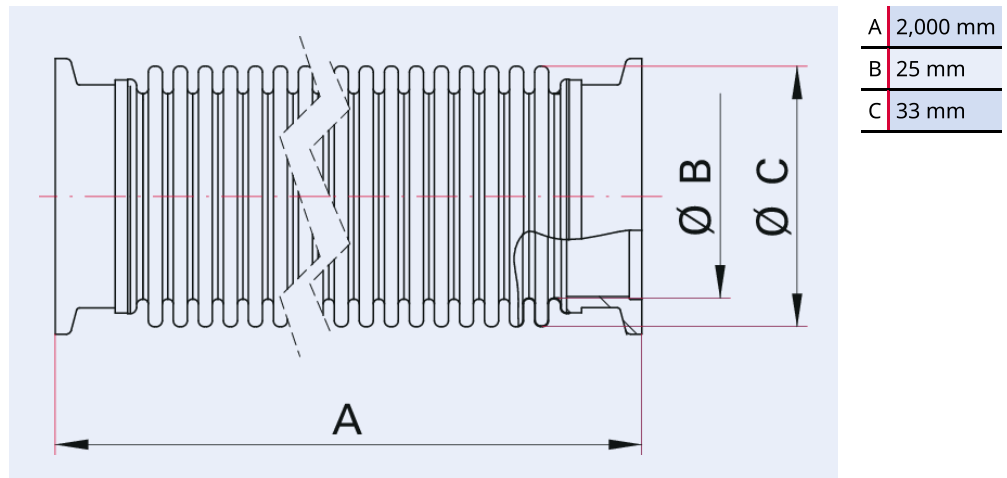


Illustration only

Corrugated hose, flexible, stainless steel, DN 25 ISO-KF, length 2000 mm

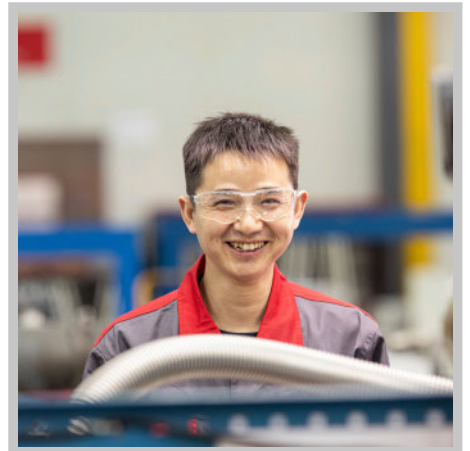
- Flange connection length 15 mm
- Custom lengths on request

Dimensions



Technical Data	Corrugated hose, flexible, stainless steel, DN 25 ISO-KF, length 2000 mm
Materials in contact with media	Bellows: 316L Flange: Stainless steel 1.4301/304
Temperature range	196 – 300 °C
Bending radius, frequent movement	180 mm 7.09 inch
Bending radius, one-time movement	38 mm 1.5 inch
Connection flange	DN 25 ISO-KF
Pressure range	$1 \cdot 10^{-8}$ hPa – $5 \cdot 10^2$ hPa over pressure
Material	Flange: stainless steel 1.4301/304; bellows: stainless steel 316L
Temperature range max.	300 °C 572 °F 573.15 K
Temperature range min.	196 °C 320.8 °F 77.15 K

Order number	Corrugated hose, flexible, stainless steel, DN 25 ISO-KF, length 2000 mm
Corrugated hose, flexible, stainless steel, DN 25 ISO-KF, length 2000 mm	120SWN025-2000



Errors and/or changes excepted. - 5/14/2025

Are you looking for an optimum vacuum solution?

Talk to us:

Pfeiffer Vacuum Components & Solutions GmbH Germany

T +49 551 99963-0

info-cs@pfeiffer-vacuum.com

Or scan the barcode, to visit our web page:



<https://webportal.pfeiffer-vacuum.com/global/en/contact>

Follow Us On Social Media

#pfeiffervacuum



www.pfeiffer-vacuum.com

PFEIFFER 