

# Thermocouple feedthrough, type K, 1 pair, DN 40 CF

---



# Thermocouple feedthrough, type K

PFEIFFER 

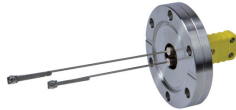
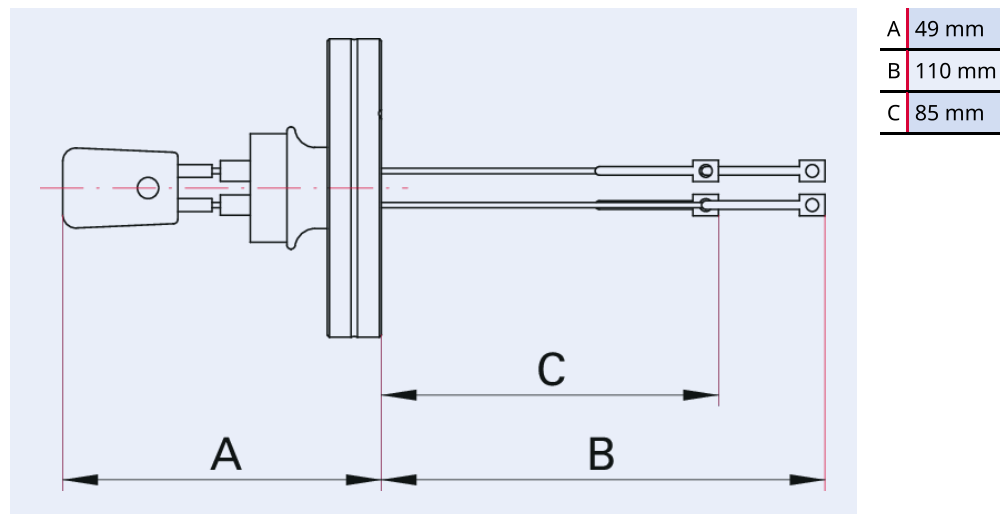


Illustration only

## Thermocouple feedthrough, type K, 1 pair, DN 40 CF

- 1 Thermocouple pair type K: Chromel (+) /Alumel (-)
- Thermocouple types C, E, J, T, N, R, S on request
- Vacuum-side lugs with screw connections for the thermo wire (including screws)
- Including atmosphere sided miniature plug (-65 to 125 °C)

## Dimensions



| Technical Data                  | Thermocouple feedthrough, type K, 1 pair, DN 40 CF  |
|---------------------------------|---|
| Materials in contact with media | Flange: Stainless steel   |
| Temperature range (vacuum side) | 100 – 300 °C  |
| Tightness                       | $1 \cdot 10^{-11}$ Pa m <sup>3</sup> /s   $7.5 \cdot 10^{-11}$ Torr l/s   $1 \cdot 10^{-10}$ mbar l/s |
| Heat up and cool down rate      | ≤20 K/min   |
| Connection flange               | DN 40 CF  |
| Pressure range                  | $1 \cdot 10^{-11}$ hPa – to ambient pressure  |

|   |   |
|---|---|
| <b>Order number</b>                                   | <b>Thermocouple feedthrough, type K, 1 pair,<br/>DN 40 CF</b> |
| Thermocouple feedthrough, type K, 1 pair,<br>DN 40 CF | 420XTK040-1   |



Errors and/or changes excepted. - 5/14/2025

Are you looking for an optimum vacuum solution?  
Talk to us:  
**Pfeiffer Vacuum Components & Solutions GmbH Germany**  
T +49 551 99963-0  
info-cs@pfeiffer-vacuum.com

Or scan the barcode, to visit our web page:



<https://webportal.pfeiffer-vacuum.com/global/en/contact>

Follow Us On Social Media  
#pfeiffervacuum



[www.pfeiffer-vacuum.com](http://www.pfeiffer-vacuum.com)

**PFEIFFER** 