



**Straight reducing piece,
stainless steel 304L,
DN 160-100 CF**



PFEIFFER 

Reducing nipple, straight

PFEIFFER 

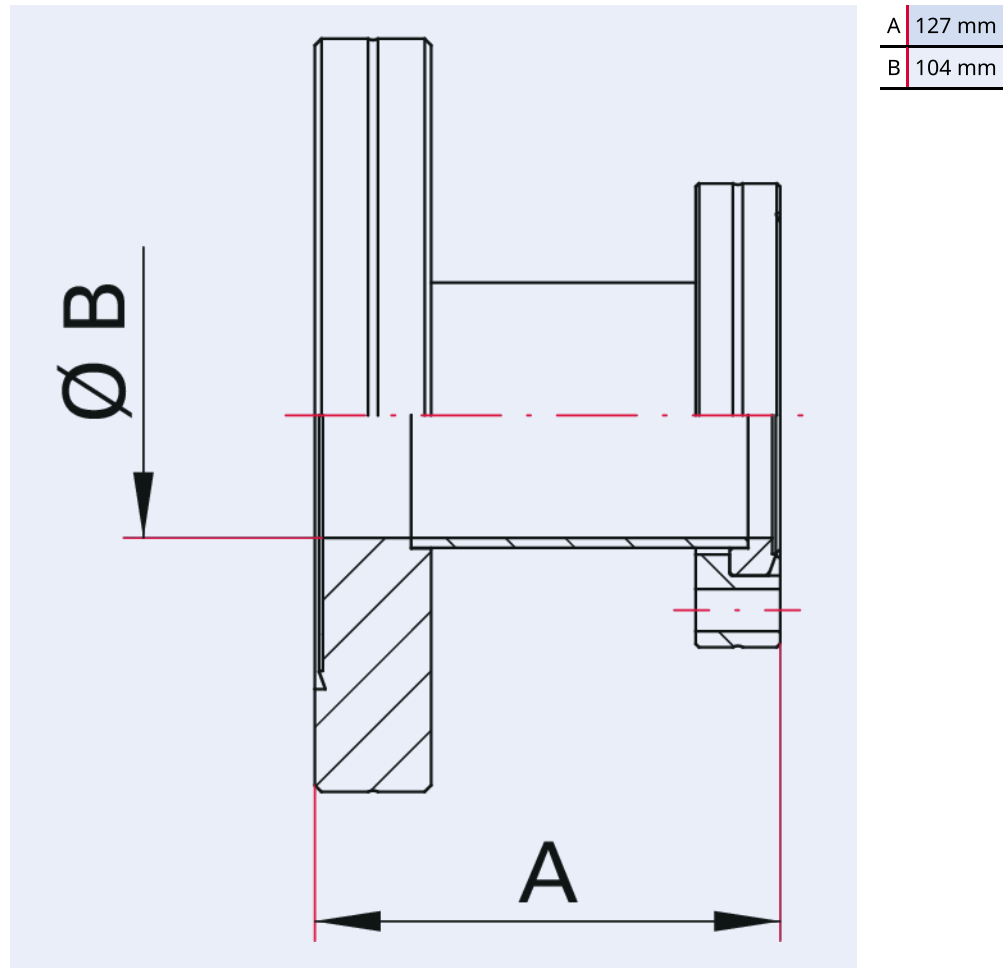


Illustration only

Straight reducing piece, stainless steel 304L, DN 160-100 CF

- Reduced flange size rotatable
- Pipe surface: glass-bead blasted (polished version on request)
- Other flange and tube materials on request
- Other lengths and tube dimensions on request

Dimensions



A	127 mm
B	104 mm

Technical Data	Straight reducing piece, stainless steel 304L, DN 160-100 CF
Nominal diameter reduced	DN 100 CF
Temperature range	196 – 300 °C
Tightness	$1 \cdot 10^{-11}$ Pa m ³ /s $7.5 \cdot 10^{-11}$ Torr l/s $1 \cdot 10^{-10}$ mbar l/s
Connection flange	DN 160 CF – DN 100 CF
Pressure range	$1 \cdot 10^{-12}$ hPa – to ambient pressure
Material	Flange: stainless steel 304L; tube: stainless steel 304L or better
Temperature range max.	300 °C 572 °F 573.15 K
Temperature range min.	196 °C 320.8 °F 77.15 K

Order number	Straight reducing piece, stainless steel 304L, DN 160-100 CF
Straight reducing piece, stainless steel 304L, DN 160-100 CF	42ORRG160-100



Errors and/or changes excepted. - 5/14/2025

Are you looking for an optimum vacuum solution?

Talk to us:

Pfeiffer Vacuum Components & Solutions GmbH Germany

T +49 551 99963-0

info-cs@pfeiffer-vacuum.com

Or scan the barcode, to visit our web page:



<https://webportal.pfeiffer-vacuum.com/global/en/contact>

Follow Us On Social Media

#pfeiffervacuum



www.pfeiffer-vacuum.com

PFEIFFER 