



**Half nipple, stainless  
steel 1.4301/304,  
DN 100 ISO-K**

---



**PFEIFFER** 

# Half nipple

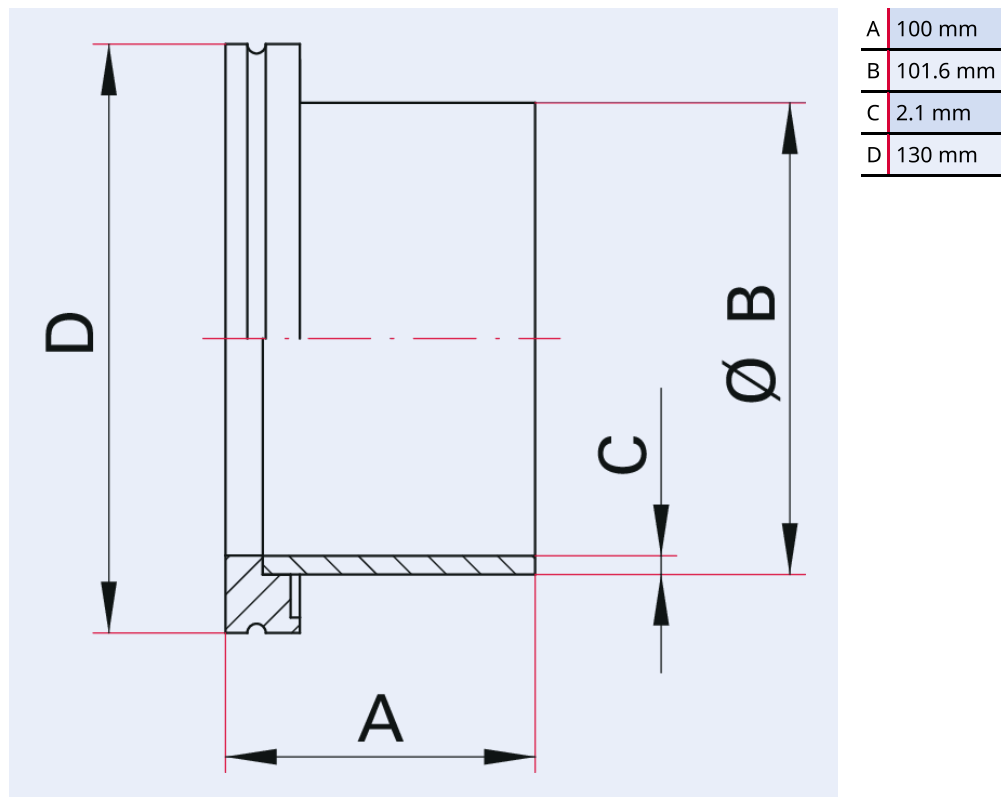
PFEIFFER 



Illustration only

**Half nipple, stainless steel 1.4301/304, DN 100 ISO-K**

## Dimensions



<b>Technical Data</b>	<b>Half nipple, stainless steel 1.4301/304, DN 100 ISO-K</b>
Pipe dimension	101.6 mm × 2.1 mm
Temperature range	196 – 300 °C
Connection flange	DN 100 ISO-K
Pressure range	1 · 10 <sup>-8</sup> hPa – 1.5 · 10 <sup>3</sup> hPa over pressure (elastomer seal); 1 · 10 <sup>-9</sup> hPa – 1.5 · 10 <sup>3</sup> hPa over pressure (metal seal)
Material	Flange: stainless steel 1.4301/304; tube: stainless steel 1.4301/304 or better
Temperature range max.	300 °C   572 °F   573.15 K
Temperature range min.	196 °C   320.8 °F   77.15 K

<b>Order number</b>	<b>Half nipple, stainless steel 1.4301/304, DN 100 ISO-K</b>
Half nipple, stainless steel 1.4301/304, DN 100 ISO-K	320FRA100-101-100



Errors and/or changes excepted. - 5/14/2025

Are you looking for an optimum vacuum solution?

Talk to us:

**Pfeiffer Vacuum Components & Solutions GmbH Germany**

**T +49 551 99963-0**

**info-cs@pfeiffer-vacuum.com**

Or scan the barcode, to visit our web page:



<https://webportal.pfeiffer-vacuum.com/global/en/contact>

Follow Us On Social Media

#pfeiffervacuum



[www.pfeiffer-vacuum.com](http://www.pfeiffer-vacuum.com)

**PFEIFFER** 