



# Clamping ring

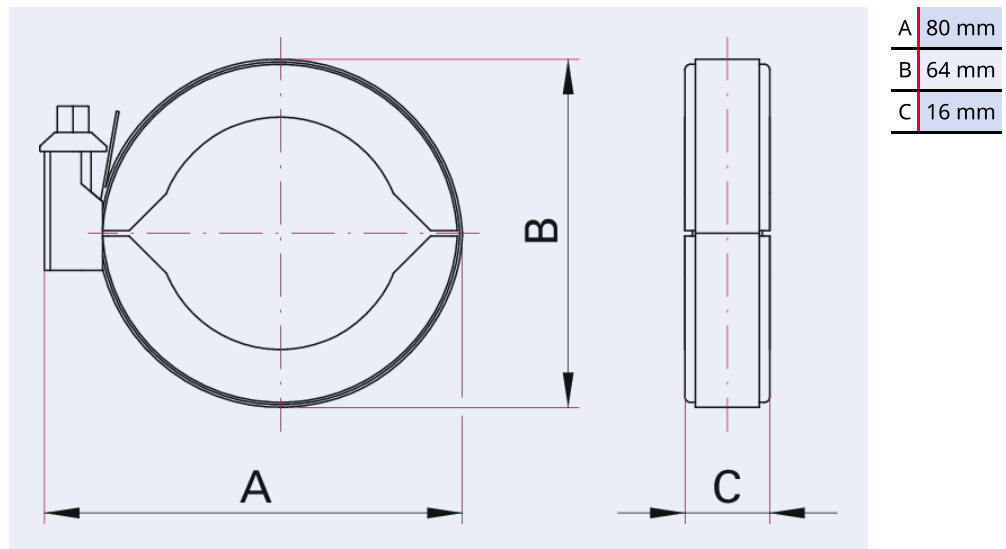


Illustration only

## Clamping ring for elastomer seals, aluminum ADC 12/Steel, DN 32-40 ISO-KF

- Suitable for use with elastomer seals
- Compact design
- Screw: Hexagon head; wrench width 7 mm
- Not to be used for the installation of turbo pumps! Use the fastening elements given in the corresponding operating instructions.

## Dimensions



<b>Technical Data</b>	<b>Clamping ring for elastomer seals, aluminum ADC 12/Steel, DN 32-40 ISO-KF</b>
Over pressure max.	500 hPa
Temperature range	0 – 100 °C
Overpressure max.	500 hPa   375 Torr   500 mbar
Connection flange	DN 32 – DN 40 ISO-KF
Material	Aluminum ADC 12 / Steel
Temperature range max.	100 °C   212 °F   373.15 K
Temperature range min.	0 °C   32 °F   273.15 K

<b>Order number</b>	<b>Clamping ring for elastomer seals, aluminum ADC 12/Steel, DN 32-40 ISO-KF</b>
Clamping ring for elastomer seals, aluminum ADC 12/Steel, DN 32-40 ISO-KF	110BSB040



Errors and/or changes excepted. - 5/14/2025

Are you looking for an optimum vacuum solution?  
Talk to us:  
**Pfeiffer Vacuum Components & Solutions GmbH Germany**  
T +49 551 99963-0  
**info-cs@pfeiffer-vacuum.com**

Or scan the barcode, to visit our web page:



<https://webportal.pfeiffer-vacuum.com/global/en/contact>

Follow Us On Social Media  
#pfeiffervacuum



[www.pfeiffer-vacuum.com](http://www.pfeiffer-vacuum.com)

**PFEIFFER** 