

Ball valve

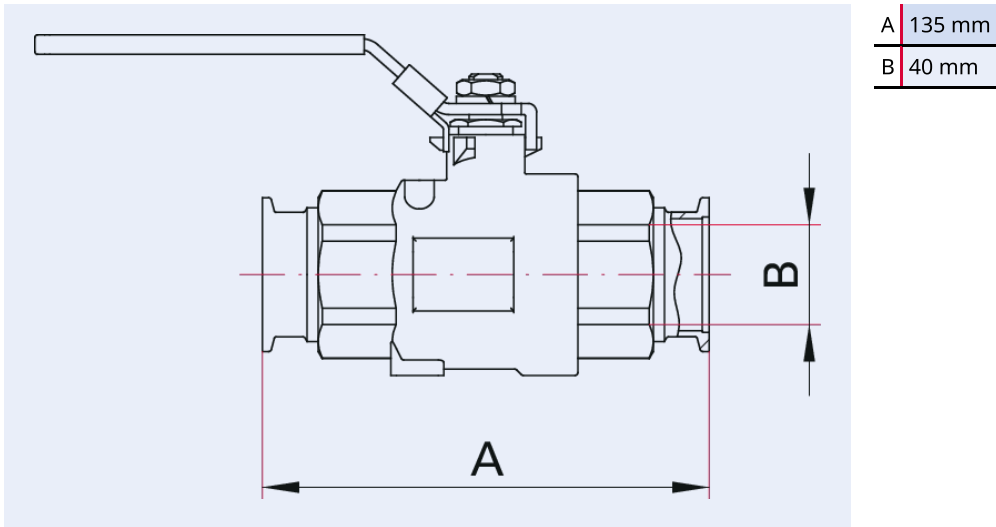


Illustration only

Ball valve, manually actuated, brass, nickel-plated, DN 40 ISO-KF

- Ball valve with large-scale free clearance
- Ball made from brass, hard-chrome plated

Dimensions



Technical Data	Ball valve, manually actuated, brass, nickel-plated, DN 40 ISO-KF
Flange, material	Stainless steel 1.4301 (AISI 304)
Seal	Ball: PTFE (reinforced with fiberglass) Stem: PTFE/FKM
Type	Ball valve
Temperature range	20 – 80 °C
Housing	Brass, nickel-plated
Actuator	90° rotation of hand lever
Tightness	$1 \cdot 10^{-7}$ Pa m ³ /s $7.5 \cdot 10^{-7}$ Torr l/s $1 \cdot 10^{-6}$ mbar l/s
Weight approx.	1.2 kg 2.65 lb
Connection flange	DN 40 ISO-KF
Pressure range	1 · 10 ⁻⁵ hPa – 5 · 10 ² hPa over pressure
Temperature range max.	80 °C 176 °F 353.15 K
Temperature range min.	20 °C 4 °F 253.15 K

Order number	Ball valve, manually actuated, brass, nickel-plated, DN 40 ISO-KF
Ball valve, manually actuated, brass, nickel-plated, DN 40 ISO-KF	140VKZ040



Errors and/or changes excepted. - 5/14/2025

Are you looking for an optimum vacuum solution?
Talk to us:
Pfeiffer Vacuum Components & Solutions GmbH Germany
T +49 551 99963-0
info-cs@pfeiffer-vacuum.com

Or scan the barcode, to visit our web page:



<https://webportal.pfeiffer-vacuum.com/global/en/contact>

Follow Us On Social Media
#pfeiffervacuum



www.pfeiffer-vacuum.com

PFEIFFER 