



# T-piece

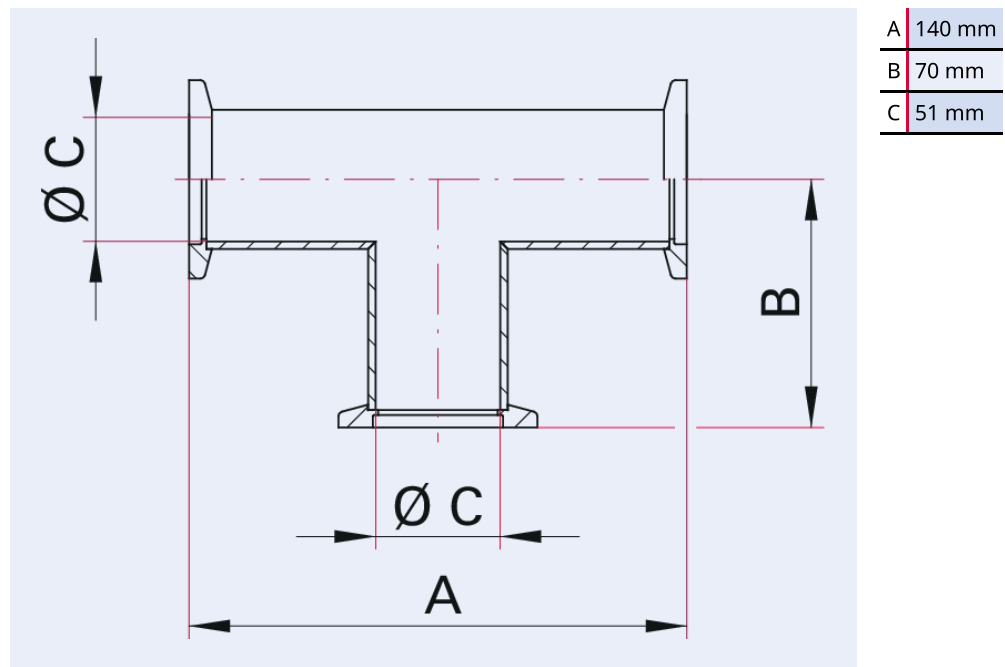
PFEIFFER 



Illustration only

**Tee, stainless steel 1.4301/304, DN 50 ISO-KF**

## Dimensions



## Technical Data

Technical Data	Tee, stainless steel 1.4301/304, DN 50 ISO-KF
Materials in contact with media	Stainless steel 1.4301 (AISI 304)
Temperature range	196 – 300 °C
Connection flange	DN 50 ISO-KF
Pressure range	$1 \cdot 10^{-8}$ hPa – $5 \cdot 10^2$ hPa over pressure (elastomer seal); $1 \cdot 10^{-9}$ hPa – $5 \cdot 10^2$ hPa over pressure (metal seal)
Temperature range max.	300 °C   572 °F   573.15 K
Temperature range min.	196 °C   320.8 °F   77.15 K

<b>Order number</b>	<b>Tee, stainless steel 1.4301/304, DN 50 ISO-KF</b>
Tee, stainless steel 1.4301/304, DN 50 ISO-KF	120RTS050



Errors and/or changes excepted. - 5/14/2025

Are you looking for an optimum vacuum solution?  
Talk to us:  
**Pfeiffer Vacuum Components & Solutions GmbH Germany**  
T +49 551 99963-0  
**info-cs@pfeiffer-vacuum.com**

Or scan the barcode, to visit our web page:



<https://webportal.pfeiffer-vacuum.com/global/en/contact>

Follow Us On Social Media  
#pfeiffervacuum



[www.pfeiffer-vacuum.com](http://www.pfeiffer-vacuum.com)

**PFEIFFER** 