

**CF shutter, manually
actuated, stainless
steel, DN 160 CF**



PFEIFFER 

CF shutter, Manual

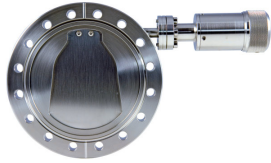
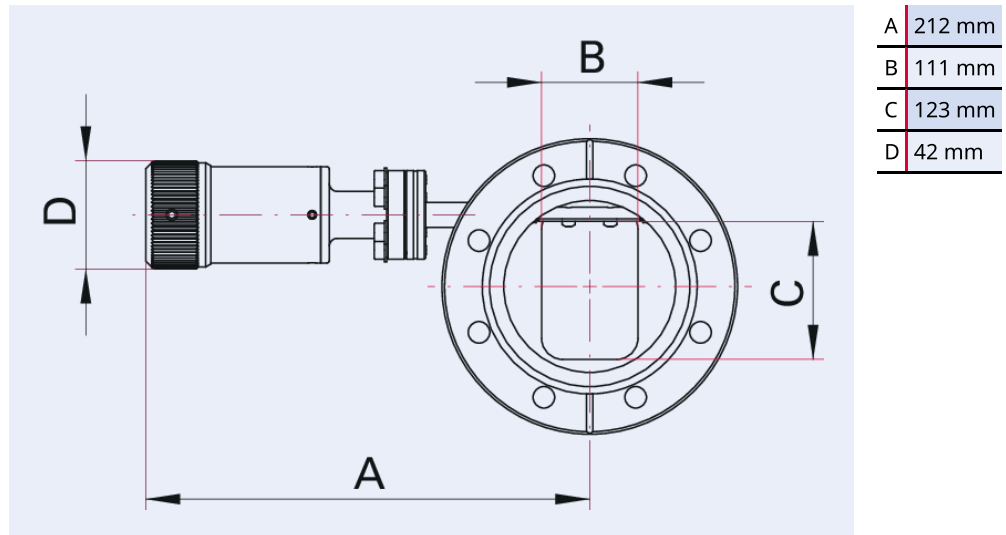


Illustration only

CF shutter, manually actuated, stainless steel, DN 160 CF

- Handwheel with snap-in stages
- Feedthrough, bellows-sealed
- Hermetically sealed, suitable for UHV

Dimensions



Technical Data	CF shutter, manually actuated, stainless steel, DN 160 CF
Materials in contact with media	Stainless steel
Number of screws	20 Pieces
Angle of rotation	0 to 90°, with snap-in stages in 10° increments
Operating temperature	≤ 80 °C
Mounting orientation	Arbitrary
Tightness	$1 \cdot 10^{-11}$ Pa m ³ /s $7.5 \cdot 10^{-11}$ Torr l/s $1 \cdot 10^{-10}$ mbar l/s
Connection flange	DN 160 CF
Pressure range	1 · 10 ⁻⁹ hPa – to ambient pressure

Order number	CF shutter, manually actuated, stainless steel, DN 160 CF
CF shutter, manually actuated, stainless steel, DN 160 CF	420MBL160



Errors and/or changes excepted. - 5/14/2025

Are you looking for an optimum vacuum solution?

Talk to us:

Pfeiffer Vacuum Components & Solutions GmbH Germany

T +49 551 99963-0

info-cs@pfeiffer-vacuum.com

Or scan the barcode, to visit our web page:



<https://webportal.pfeiffer-vacuum.com/global/en/contact>

Follow Us On Social Media

#pfeiffervacuum



www.pfeiffer-vacuum.com

PFEIFFER 