



Coaxial feedthrough, MHV, floating shield, 1 pin, DN 40 ISO-KF



Coaxial feedthrough, MHV

PFEIFFER 

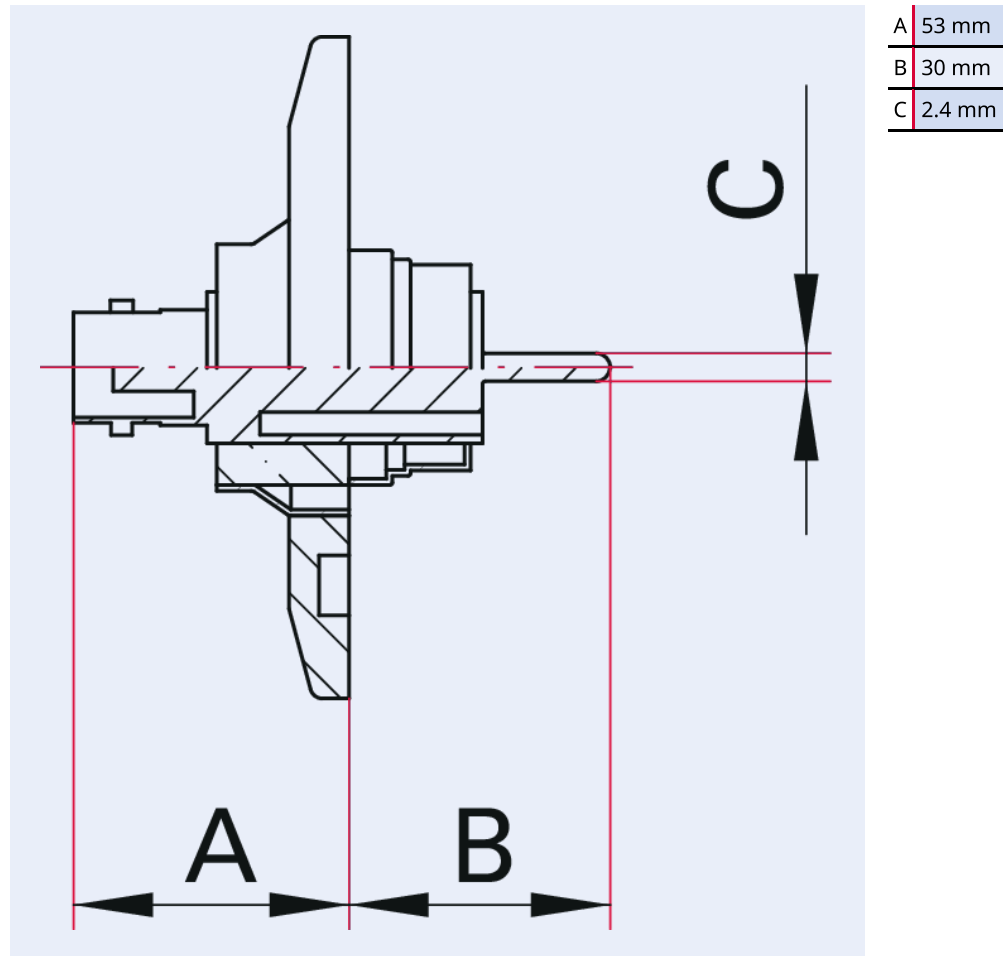


Illustration only

Coaxial feedthrough, MHV, floating shield, 1 pin, DN 40 ISO-KF

- A floating shield is when the potential of the shield is separated from the flange respectively the weld lip
- Flange material: Stainless steel
- Including atmosphere sided plug (-65 to 165 °C)
- The specified voltages and currents refer to the following ambient conditions:
room temperature, outside: dry air, inside: vacuum $< 1 \cdot 10^{-4}$ hPa

Dimensions



| Technical Data | Coaxial feedthrough, MHV, floating shield, 1 pin, DN 40 ISO-KF |
|---------------------------------|---|
| Materials in contact with media | Flange: Stainless steel |
| Temperature range (vacuum side) | 100 – 300 °C |
| Screening | Floating shield |
| Tightness | $1 \cdot 10^{-11}$ Pa m ³ /s $7.5 \cdot 10^{-11}$ Torr l/s $1 \cdot 10^{-10}$ mbar l/s |
| Heat up and cool down rate | ≤25 K/min |
| Feedthrough voltage | 5 kV DC |
| Current | 3 A |
| Pins | 1 |
| Connection flange | DN 40 ISO-KF |
| Pressure range | $1 \cdot 10^{-8}$ hPa – to ambient pressure |

| Order number | Coaxial feedthrough, MHV, floating shield, 1 pin, DN 40 ISO-KF |
|--|---|
| Coaxial feedthrough, MHV, floating shield, 1 pin, DN 40 ISO-KF | 120XMF040-1 |



Errors and/or changes excepted. - 5/14/2025

Are you looking for an optimum vacuum solution?

Talk to us:

Pfeiffer Vacuum Components & Solutions GmbH Germany

T +49 551 99963-0

info-cs@pfeiffer-vacuum.com

Or scan the barcode, to visit our web page:



<https://webportal.pfeiffer-vacuum.com/global/en/contact>

Follow Us On Social Media

#pfeiffervacuum



www.pfeiffer-vacuum.com

PFEIFFER 