



**Straight adapter,  
stainless steel  
304/1.4301, DN 63 ISO-  
K/40 KF**

---



# Adapter, straight

PFEIFFER 

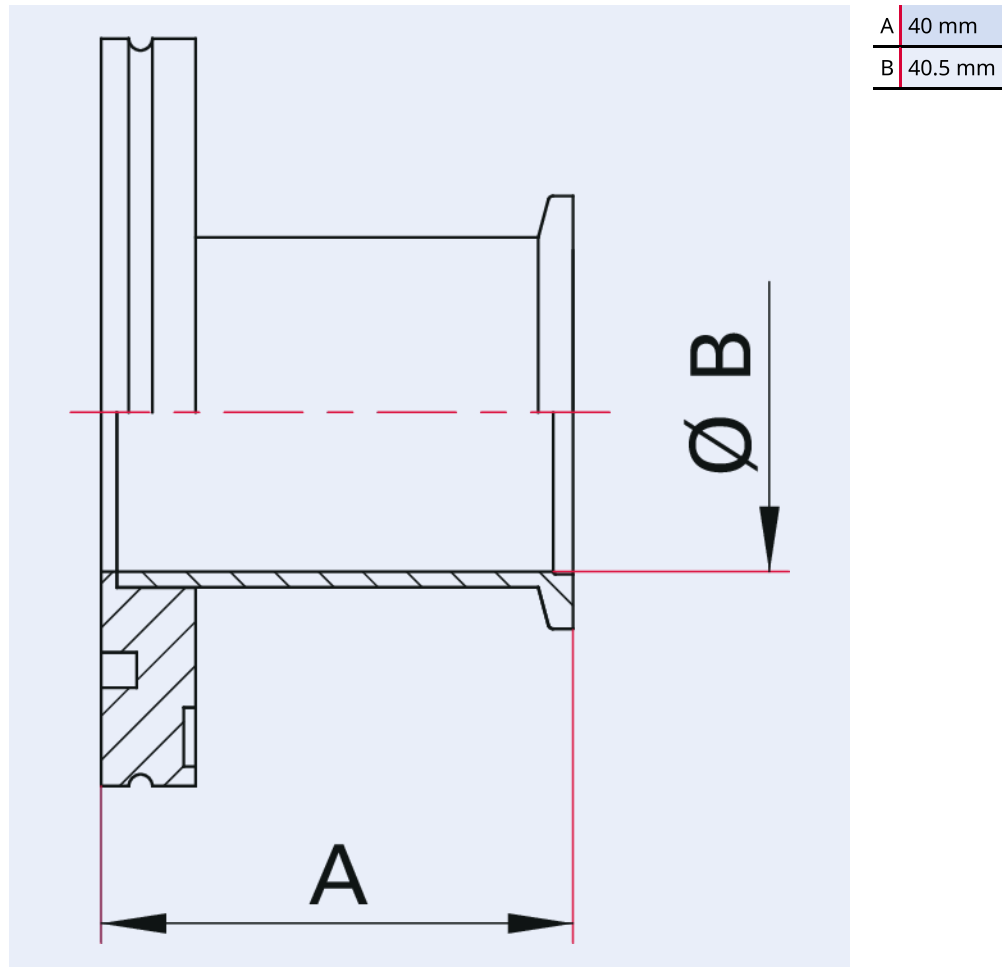


Illustration only

**Straight adapter, stainless steel 304/1.4301, DN 63 ISO-K/40 KF**

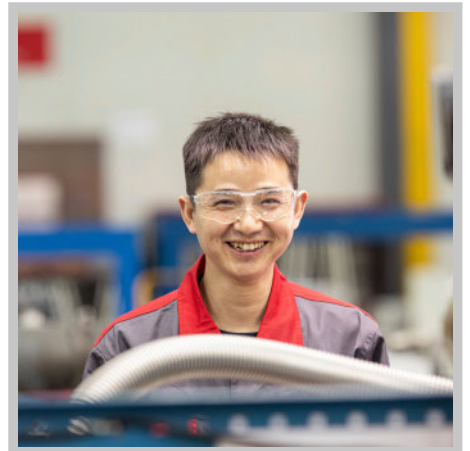
- Other combinations and lengths on request

## Dimensions



| <b>Technical Data</b>           | <b>Straight adapter, stainless steel 304/1.4301,<br/>DN 63 ISO-K/40 KF</b>   |
|---------------------------------|--|
| Materials in contact with media | Stainless steel 1.4301 (AISI 304)  |
| Nominal diameter reduced        | DN 40 ISO-KF   |
| Temperature range               | 196 – 300 °C   |
| Connection flange               | DN 63 ISO-K / DN 40 ISO-KF   |
| Pressure range                  | 1 · 10 <sup>-8</sup> hPa – 5 · 10 <sup>2</sup> hPa over pressure (elastomer seal); 1 · 10 <sup>-9</sup> hPa – 5 · 10 <sup>2</sup> hPa over pressure (metal seal) |
| Temperature range max.          | 300 °C   572 °F   573.15 K   |
| Temperature range min.          | 196 °C   320.8 °F   77.15 K  |

| <b>Order number</b>  | <b>Straight adapter, stainless steel 304/1.4301,<br/>DN 63 ISO-K/40 KF</b> |
|--|--|
| Straight adapter, stainless steel 304/1.4301,<br>DN 63 ISO-K/40 KF | 320RRG063-040-40   |



Errors and/or changes excepted. - 5/14/2025

Are you looking for an optimum vacuum solution?

Talk to us:

**Pfeiffer Vacuum Components & Solutions GmbH Germany**

**T +49 551 99963-0**

**info-cs@pfeiffer-vacuum.com**

Or scan the barcode, to visit our web page:



<https://webportal.pfeiffer-vacuum.com/global/en/contact>

Follow Us On Social Media

#pfeiffervacuum



[www.pfeiffer-vacuum.com](http://www.pfeiffer-vacuum.com)

**PFEIFFER** 