



**Welding flange,  
rotatable, stainless  
steel 304L, DN 16 CF,  
1.65 mm**

---



**PFEIFFER** 

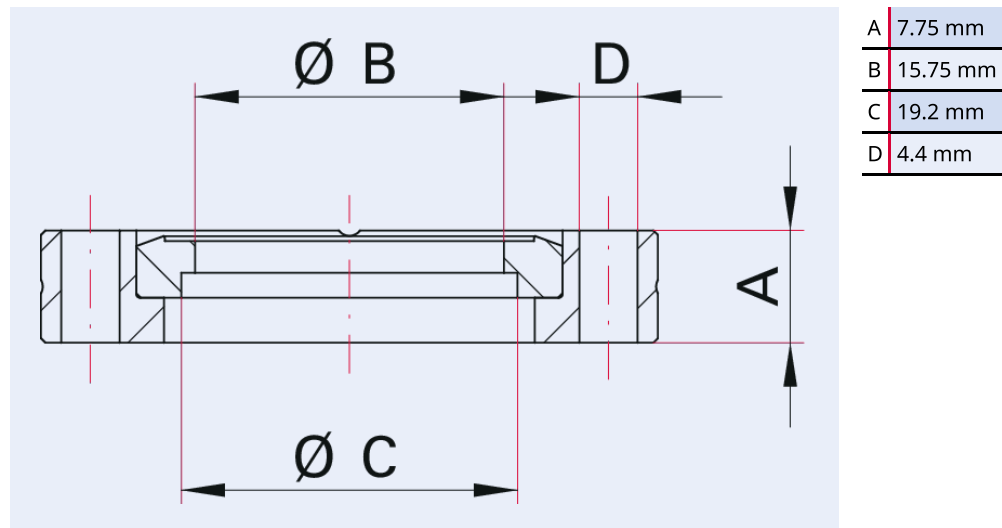
# Welding flange, rotatable



Illustration only

**Welding flange, rotatable, stainless steel 304L, DN 16 CF, 1.65 mm**

## Dimensions



## Technical Data

### Welding flange, rotatable, stainless steel 304L, DN 16 CF, 1.65 mm

Materials in contact with media	Stainless steel (AISI 304L)
Number of screws	6 Pieces
Pipe dimension	19.05 mm × 1.65 mm
Temperature range	196 – 300 °C
Connection flange	DN 16 CF
Pressure range	$1 \cdot 10^{-12}$ hPa – to ambient pressure
Temperature range max.	300 °C   572 °F   573.15 K
Temperature range min.	196 °C   320.8 °F   77.15 K

<b>Order number</b>	<b>Welding flange, rotatable, stainless steel 304L, DN 16 CF, 1.65 mm</b>
Welding flange, rotatable, stainless steel 304L, DN 16 CF, 1.65 mm	420FAD016-19



Errors and/or changes excepted. - 5/14/2025

Are you looking for an optimum vacuum solution?

Talk to us:

**Pfeiffer Vacuum Components & Solutions GmbH Germany**

**T +49 551 99963-0**

**info-cs@pfeiffer-vacuum.com**

Or scan the barcode, to visit our web page:



<https://webportal.pfeiffer-vacuum.com/global/en/contact>

Follow Us On Social Media

#pfeiffervacuum



[www.pfeiffer-vacuum.com](http://www.pfeiffer-vacuum.com)

**PFEIFFER** 