

Coaxial feedthrough, MHV

PFEIFFER 

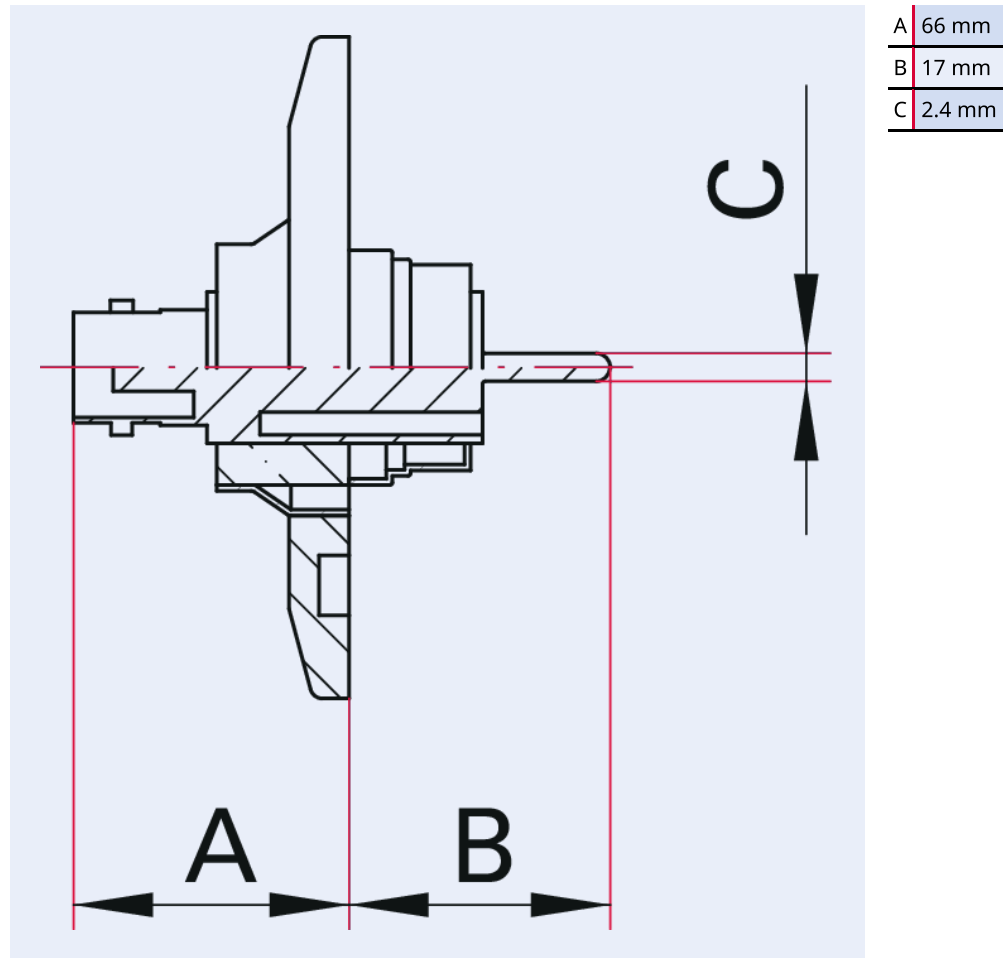


Illustration only

Coaxial feedthrough, MHV, floating shield, 1 pin, DN 16 ISO-KF

- A floating shield is when the potential of the shield is separated from the flange respectively the weld lip
- Flange material: Stainless steel
- Including atmosphere sided plug (-65 to 165 °C)
- The specified voltages and currents refer to the following ambient conditions:
room temperature, outside: dry air, inside: vacuum $< 1 \cdot 10^{-4}$ hPa

Dimensions



Technical Data

Coaxial feedthrough, MHV, floating shield, 1 pin, DN 16 ISO-KF

Materials in contact with media	Flange: Stainless steel
Temperature range (vacuum side)	100 – 300 °C
Screening	Floating shield
Tightness	$1 \cdot 10^{-11}$ Pa m ³ /s $7.5 \cdot 10^{-11}$ Torr l/s $1 \cdot 10^{-10}$ mbar l/s
Heat up and cool down rate	≤25 K/min
Feedthrough voltage	5 kV DC
Current	3 A
Pins	1
Connection flange	DN 16 ISO-KF
Pressure range	$1 \cdot 10^{-8}$ hPa – to ambient pressure

Order number	Coaxial feedthrough, MHV, floating shield, 1 pin, DN 16 ISO-KF
Coaxial feedthrough, MHV, floating shield, 1 pin, DN 16 ISO-KF	120XMF016-1



Errors and/or changes excepted. - 5/14/2025

Are you looking for an optimum vacuum solution?

Talk to us:

Pfeiffer Vacuum Components & Solutions GmbH Germany

T +49 551 99963-0

info-cs@pfeiffer-vacuum.com

Or scan the barcode, to visit our web page:



<https://webportal.pfeiffer-vacuum.com/global/en/contact>

Follow Us On Social Media

#pfeiffervacuum



www.pfeiffer-vacuum.com

PFEIFFER 