



**Welding flange,
rotatable, stainless
steel 304L, DN 100 CF,
101.6 mm**



PFEIFFER 

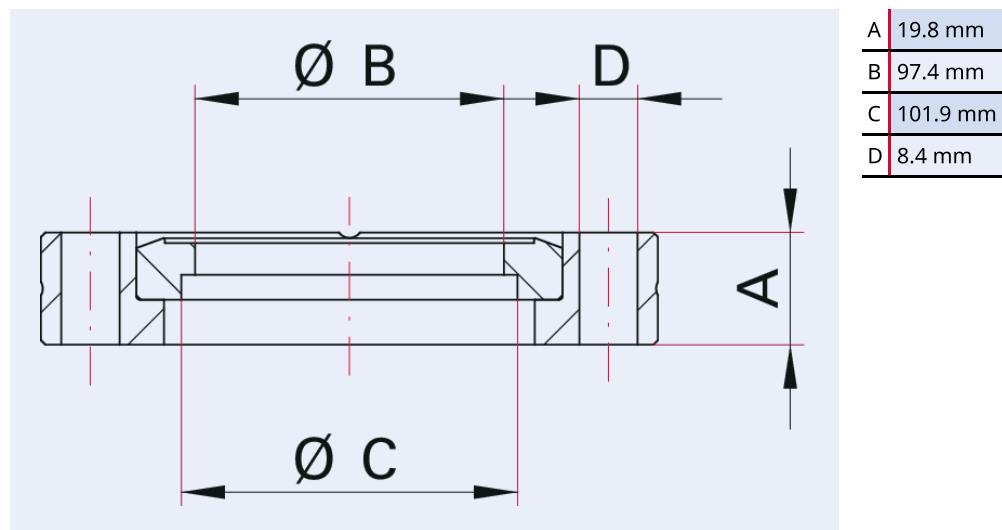
Welding flange, rotatable



Illustration only

Welding flange, rotatable, stainless steel 304L, DN 100 CF, 101.6 mm

Dimensions



Technical Data

Welding flange, rotatable, stainless steel 304L, DN 100 CF, 101.6 mm

Materials in contact with media	Stainless steel (AISI 304L)
Number of screws	16 Pieces
Pipe dimension	101.6 mm × 2.1 mm
Temperature range	196 – 300 °C
Connection flange	DN 100 CF
Pressure range	$1 \cdot 10^{-12}$ hPa – to ambient pressure
Temperature range max.	300 °C 572 °F 573.15 K
Temperature range min.	196 °C 320.8 °F 77.15 K

Order number	Welding flange, rotatable, stainless steel 304L, DN 100 CF, 101.6 mm
Welding flange, rotatable, stainless steel 304L, DN 100 CF, 101.6 mm	420FAD100-101



Errors and/or changes excepted. - 5/14/2025

Are you looking for an optimum vacuum solution?

Talk to us:

Pfeiffer Vacuum Components & Solutions GmbH Germany

T +49 551 99963-0

info-cs@pfeiffer-vacuum.com

Or scan the barcode, to visit our web page:



<https://webportal.pfeiffer-vacuum.com/global/en/contact>

Follow Us On Social Media

#pfeiffervacuum



www.pfeiffer-vacuum.com

PFEIFFER 