



**Viewport retainer for  
optical glasses, CF  
flange with viewport  
retainer, DN 40 CF**

---

**PFEIFFER** 

# Viewport retainer

PFEIFFER 

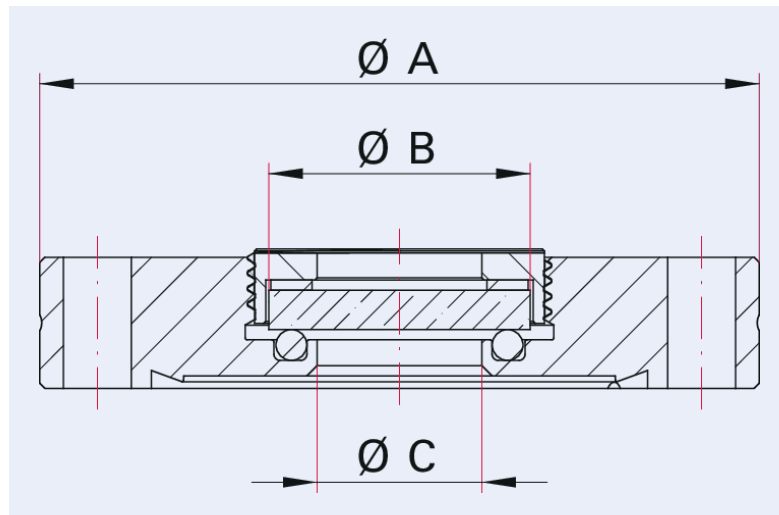


Illustration only

## Viewport retainer for optical glasses, CF flange with viewport retainer, DN 40 CF

- Simple replacement of glasses
- Accessories: Face wrench, optical glasses
- Glass not included

## Dimensions



A	69.9 mm
B	25.8 - 24.8 mm
C	16 mm

<b>Technical Data</b>	<b>Viewport retainer for optical glasses, CF flange with viewport retainer, DN 40 CF</b>
Number of screws	6 Pieces
Temperature range	15 – 150 °C
Connection flange	DN 40 CF
Glass thickness	3 – 7 mm
Pressure range	$1 \cdot 10^{-8}$ hPa – $5 \cdot 10^2$ hPa over pressure
Temperature range max.	150 °C   302 °F   423.15 K
Temperature range min.	15 °C   5 °F   258.15 K

<b>Order number</b>	<b>Viewport retainer for optical glasses, CF flange with viewport retainer, DN 40 CF</b>
Viewport retainer for optical glasses, CF flange with viewport retainer, DN 40 CF	420GAG040-25



Errors and/or changes excepted. - 5/14/2025

Are you looking for an optimum vacuum solution?

Talk to us:

**Pfeiffer Vacuum Components & Solutions GmbH Germany**

**T +49 551 99963-0**

**info-cs@pfeiffer-vacuum.com**

Or scan the barcode, to visit our web page:



<https://webportal.pfeiffer-vacuum.com/global/en/contact>

Follow Us On Social Media

#pfeiffervacuum



[www.pfeiffer-vacuum.com](http://www.pfeiffer-vacuum.com)

**PFEIFFER** 