



Hose adapter, stainless steel, DN 63 ISO-K



Hose adapter

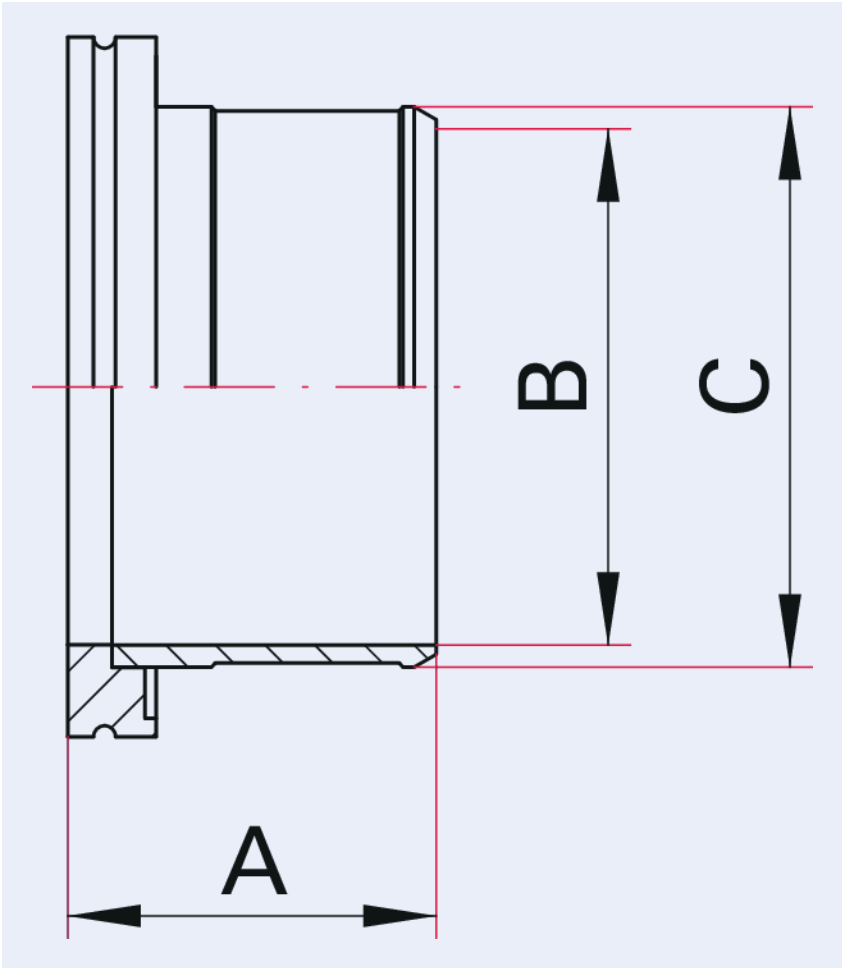


Illustration only

Hose adapter, stainless steel, DN 63 ISO-K

- Adapter for PVC hose or a CR sleeve
- Fastener: Hose clamp (see accessories)

Dimensions



A	50 mm
B	70 mm
C	76.1 mm

Technical Data	Hose adapter, stainless steel, DN 63 ISO-K
Materials in contact with media	Stainless steel 1.4301 (AISI 304)
Connection flange	DN 63 ISO-K
Material	Stainless steel 1.4301 (AISI 304)

Order number	Hose adapter, stainless steel, DN 63 ISO-K
Hose adapter, stainless steel, DN 63 ISO-K	320ASP063



Errors and/or changes excepted. - 5/14/2025

Are you looking for an optimum vacuum solution?

Talk to us:

Pfeiffer Vacuum Components & Solutions GmbH Germany

T +49 551 99963-0

info-cs@pfeiffer-vacuum.com

Or scan the barcode, to visit our web page:



<https://webportal.pfeiffer-vacuum.com/global/en/contact>

Follow Us On Social Media

#pfeiffervacuum



www.pfeiffer-vacuum.com

PFEIFFER 