



Modular chamber, bell, DN 320



PFEIFFER 

Modular chamber

PFEIFFER 

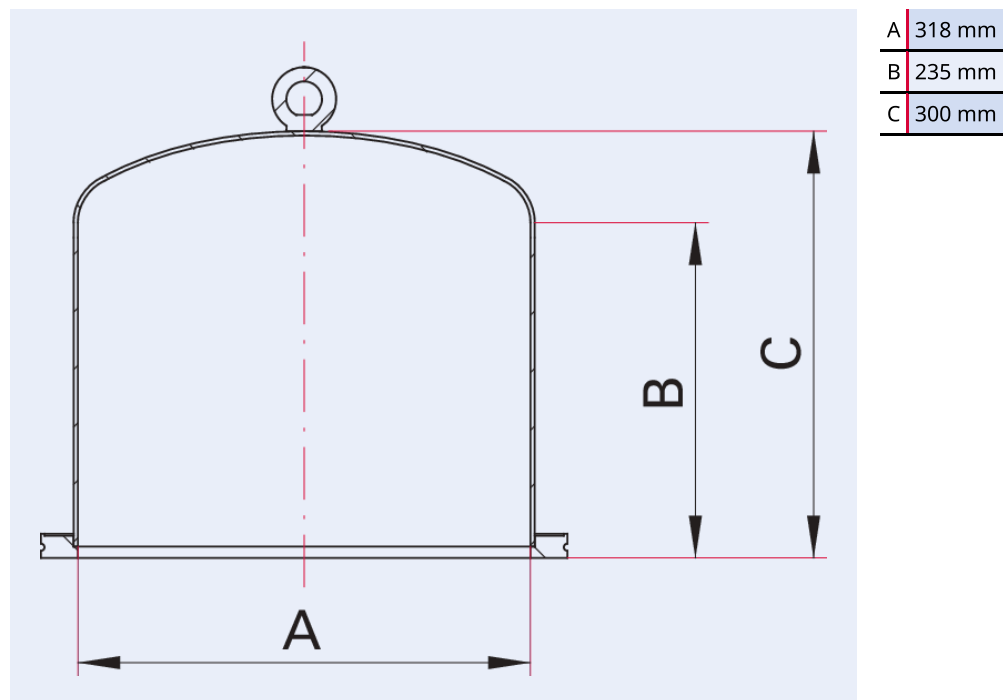


Illustration only

Modular chamber, bell, DN 320

- Modular design for maximum flexibility at any time
- Cylindrical, vertical body welded with dished end and ISO-K base flange
- Eye bolt
- Surface: inside and outside glass bead blasted
- Chamber ports available (accessories)

Dimensions



Technical Data	Modular chamber, bell, DN 320
Materials in contact with media	Stainless steel 1.4301 (AISI 304)
Temperature range	15 – 150 °C
Tightness	$1 \cdot 10^{-9}$ Pa m ³ /s $7.5 \cdot 10^{-9}$ Torr l/s $1 \cdot 10^{-8}$ mbar l/s
Connection flange	DN 320 ISO-K
Pressure range	1 · 10 ⁻⁷ hPa – 5 · 10 ² hPa over pressure
Temperature range max.	150 °C 302 °F 423.15 K
Temperature range min.	15 °C 5 °F 258.15 K

Order number	Modular chamber, bell, DN 320
Modular chamber, bell, DN 320	820KMG320-300



Errors and/or changes excepted. - 5/14/2025

Are you looking for an optimum vacuum solution?

Talk to us:

Pfeiffer Vacuum Components & Solutions GmbH Germany

T +49 551 99963-0

info-cs@pfeiffer-vacuum.com

Or scan the barcode, to visit our web page:



<https://webportal.pfeiffer-vacuum.com/global/en/contact>

Follow Us On Social Media

#pfeiffervacuum



www.pfeiffer-vacuum.com

PFEIFFER 