



**ISO-K Port, stainless
steel 304/1.4301,
DN 160 ISO-K**



ISO-K Port

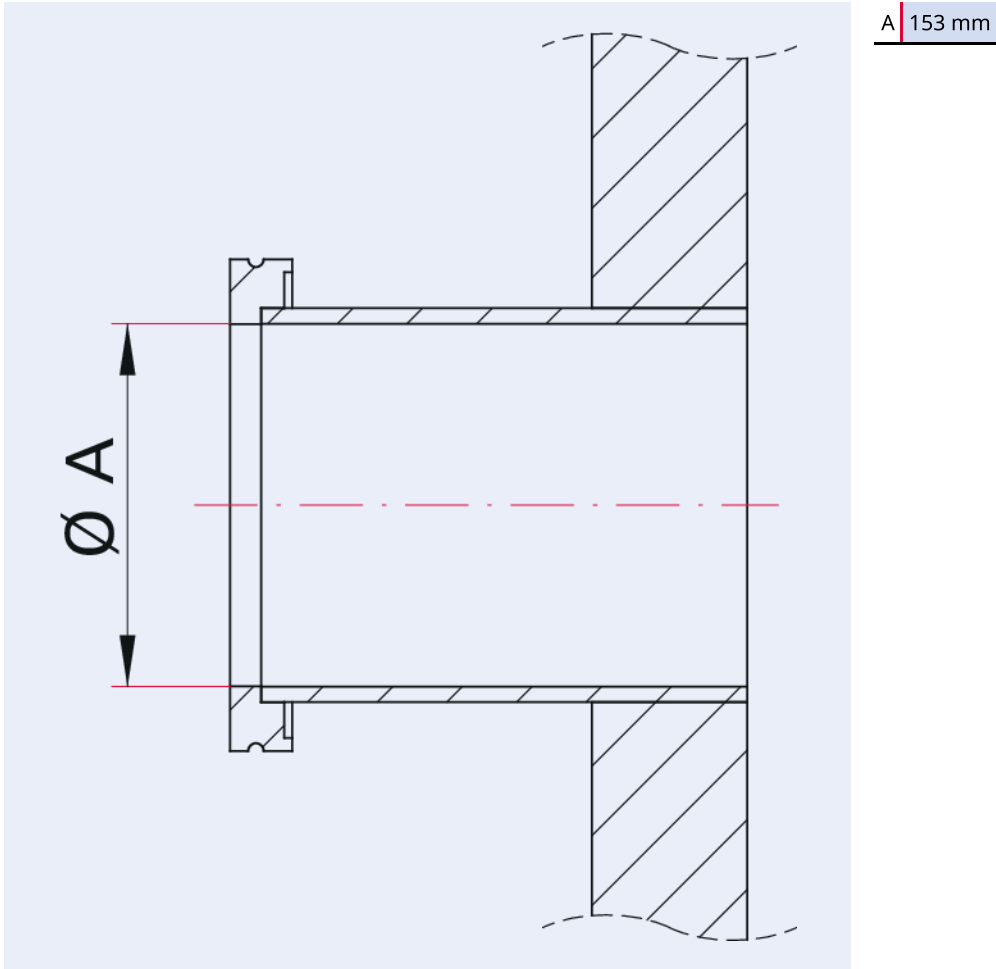


ISO-K Port, stainless steel 304/1.4301, DN 160 ISO-K



Illustration only

Dimensions



Technical Data	ISO-K Port, stainless steel 304/1.4301, DN 160 ISO-K
Materials in contact with media	Stainless steel 1.4301 (AISI 304)
Temperature range	196 – 300 °C
Connection flange	DN 160 ISO-K
Pressure range	< $1 \cdot 10^{-7}$ hPa – $5 \cdot 10^2$ hPa over pressure (elastomer seal); $1 \cdot 10^{-9}$ hPa – $5 \cdot 10^2$ hPa over pressure (metal seal)
Temperature range max.	300 °C 572 °F 573.15 K
Temperature range min.	196 °C 320.8 °F 77.15 K

Order number	ISO-K Port, stainless steel 304/1.4301, DN 160 ISO-K
ISO-K Port, stainless steel 304/1.4301, DN 160 ISO-K	820KPI160



Errors and/or changes excepted. - 5/14/2025

Are you looking for an optimum vacuum solution?

Talk to us:

Pfeiffer Vacuum Components & Solutions GmbH Germany

T +49 551 99963-0

info-cs@pfeiffer-vacuum.com

Or scan the barcode, to visit our web page:



<https://webportal.pfeiffer-vacuum.com/global/en/contact>

Follow Us On Social Media

#pfeiffervacuum



www.pfeiffer-vacuum.com

PFEIFFER 