



**Straight reducing piece,  
stainless steel 304L,  
DN 100-40 CF**

---



**PFEIFFER** 

# Reducing nipple, straight

PFEIFFER 

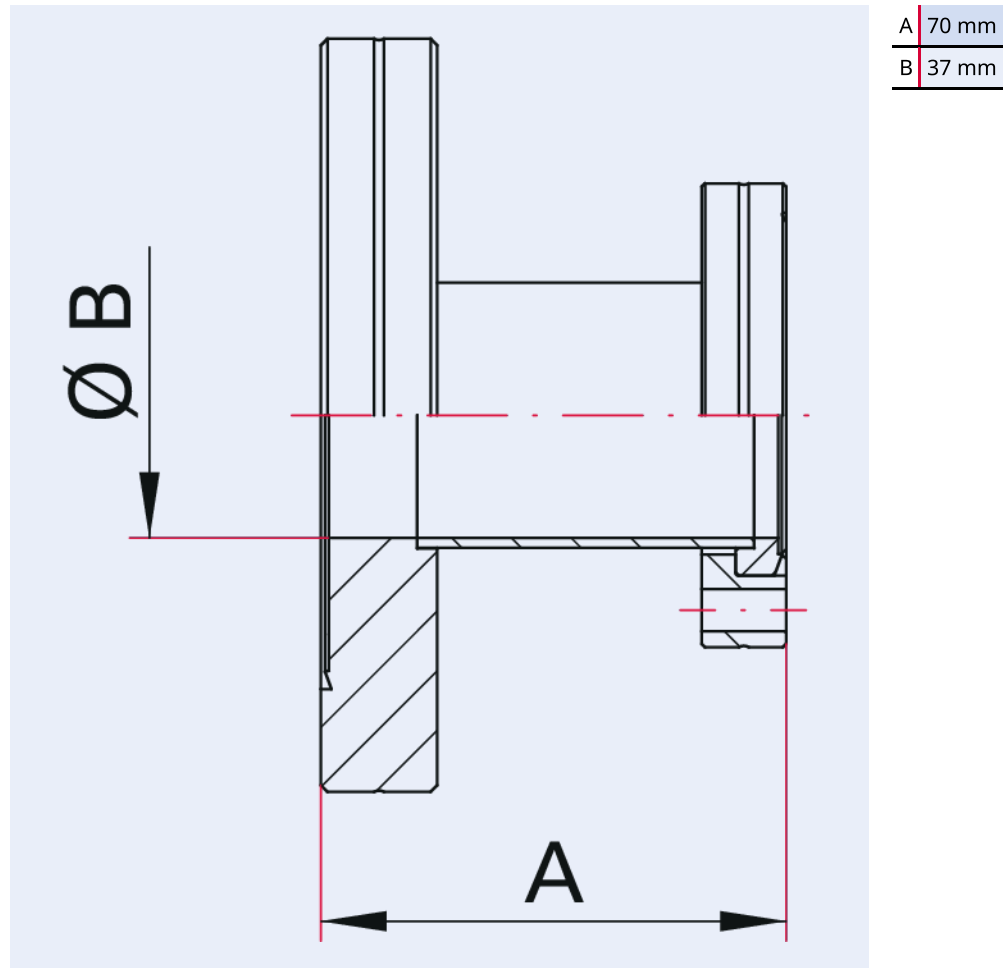


Illustration only

## **Straight reducing piece, stainless steel 304L, DN 100-40 CF**

- Reduced flange size rotatable
- Pipe surface: glass-bead blasted (polished version on request)
- Other flange and tube materials on request
- Other lengths and tube dimensions on request

## Dimensions



A	70 mm
B	37 mm

Technical Data	Straight reducing piece, stainless steel 304L, DN 100-40 CF
Nominal diameter reduced	DN 40 CF
Temperature range	196 – 300 °C
Tightness	$1 \cdot 10^{-11}$ Pa m <sup>3</sup> /s   $7.5 \cdot 10^{-11}$ Torr l/s   $1 \cdot 10^{-10}$ mbar l/s
Connection flange	DN 100 CF – DN 40 CF
Pressure range	$1 \cdot 10^{-12}$ hPa – to ambient pressure
Material	Flange: stainless steel 304L; tube: stainless steel 304L or better
Temperature range max.	300 °C   572 °F   573.15 K
Temperature range min.	196 °C   320.8 °F   77.15 K

<b>Order number</b>	<b>Straight reducing piece, stainless steel 304L, DN 100-40 CF</b>
Straight reducing piece, stainless steel 304L, DN 100-40 CF	42ORRG100-040



Errors and/or changes excepted. - 5/14/2025

Are you looking for an optimum vacuum solution?

Talk to us:

**Pfeiffer Vacuum Components & Solutions GmbH Germany**

**T +49 551 99963-0**

**info-cs@pfeiffer-vacuum.com**

Or scan the barcode, to visit our web page:



<https://webportal.pfeiffer-vacuum.com/global/en/contact>

Follow Us On Social Media

#pfeiffervacuum



[www.pfeiffer-vacuum.com](http://www.pfeiffer-vacuum.com)

**PFEIFFER** 