



**Reducer centering ring,
aluminum, NBR,
DN 25 ISO-KF**



Reducing centering ring

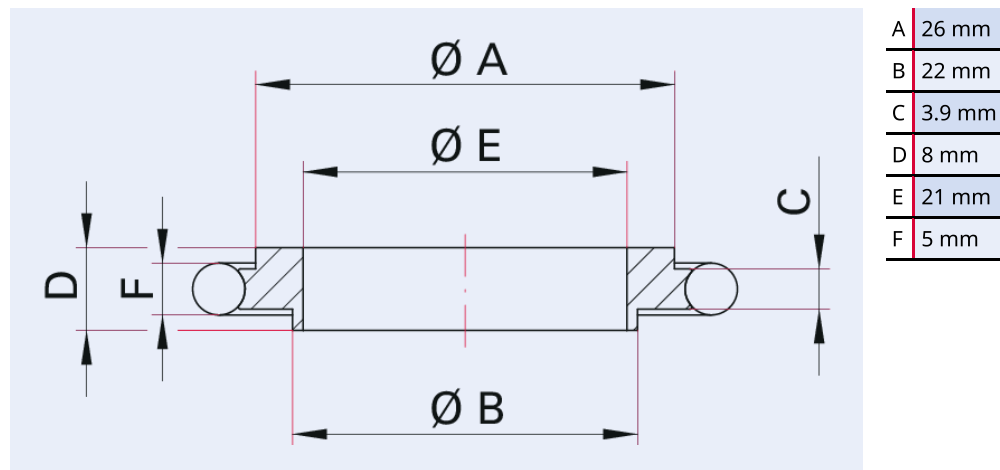


Illustration only

Reducer centering ring, aluminum, NBR, DN 25 ISO-KF

- Material: O-ring in various materials

Dimensions



Technical Data

Technical Data	Reducer centering ring, aluminum, NBR, DN 25 ISO-KF
Materials in contact with media	Aluminum EN AW-6061
O-ring material	NBR
Nominal diameter reduced	DN 20 ISO-KF
Temperature range	25 - 120 °C
Connection flange	DN 25 ISO-KF / DN 20 ISO-KF
Temperature range max.	120 °C 248 °F 393.15 K
Temperature range min.	25 °C 13 °F 248.15 K

Order number	Reducer centering ring, aluminum, NBR, DN 25 ISO-KF
Reducer centering ring, aluminum, NBR, DN 25 ISO-KF	111ZRR025



Errors and/or changes excepted. - 5/14/2025

Are you looking for an optimum vacuum solution?
Talk to us:
Pfeiffer Vacuum Components & Solutions GmbH Germany
T +49 551 99963-0
info-cs@pfeiffer-vacuum.com

Or scan the barcode, to visit our web page:



<https://webportal.pfeiffer-vacuum.com/global/en/contact>

Follow Us On Social Media
#pfeiffervacuum



www.pfeiffer-vacuum.com

PFEIFFER 