

XY-Axis precision manipulator, stainless steel, DN 100 CF



XY-Axis manipulator

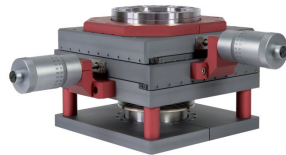
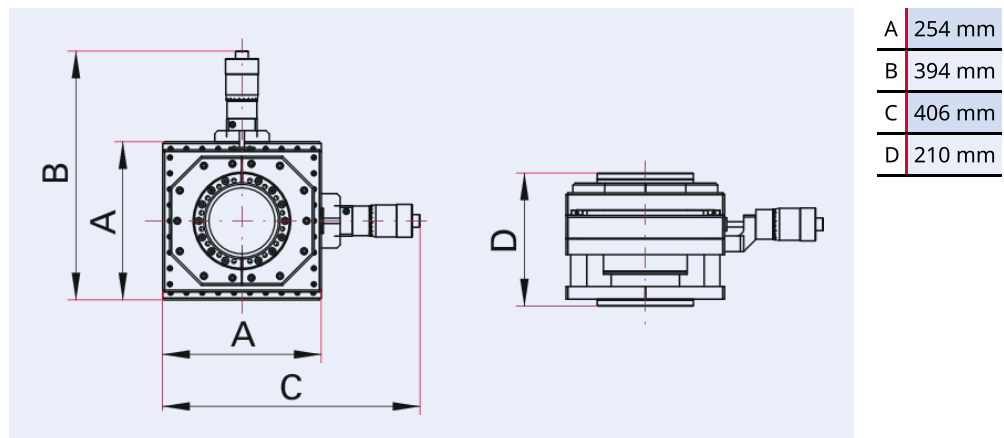


Illustration only

XY-Axis precision manipulator, stainless steel, DN 100 CF

- Precision cross roller guide
- Zero backlash and no slip-stick effect
- Guide and drive are wear-free and maintenance-free
- Extremely stable design concept minimizes position offset due to pressure changes
- Micrometer screws with big knobs - easy to handle and easy to read
- Bidirectional scale
- Maximum x and y travel fully usable simultaneously
- Connection flange with through holes, traversable flange with threaded holes

Dimensions



Technical Data	XY-Axis precision manipulator, stainless steel, DN 100 CF
Operating temperature	-15 – 80 °C
Precision	< 3 µm
Mounting orientation	Arbitrary
Tightness	<1 · 10 ⁻¹¹ Pa m ³ /s <7.5 · 10 ⁻¹¹ Torr l/s <1 · 10 ⁻¹⁰ mbar l/s
X/Y-deflection	±25 mm ±0.98 inch
Maximum allowable payload	100 kg 220.46 lb
Weight approx.	18 kg 39.68 lb
Resolution	2 µm
Repeatable precision	< 3 µm
Connection flange	DN 100 CF
Pressure range	1 · 10 ⁻¹⁰ hPa – to ambient pressure
Inner diameter	DN 63: 65 mm, DN 100: 102 mm
Material	Bellows: stainless steel 316L, flange and tube: stainless steel 304L, housing: aluminum anodized

Order number	XY-Axis precision manipulator, stainless steel, DN 100 CF
XY-Axis precision manipulator, stainless steel, DN 100 CF	420MXY100-25



Errors and/or changes excepted. - 5/14/2025

Are you looking for an optimum vacuum solution?
Talk to us:
Pfeiffer Vacuum Components & Solutions GmbH Germany
T +49 551 99963-0
info-cs@pfeiffer-vacuum.com

Or scan the barcode, to visit our web page:



<https://webportal.pfeiffer-vacuum.com/global/en/contact>

Follow Us On Social Media
#pfeiffervacuum



www.pfeiffer-vacuum.com

PFEIFFER 