



**Mantle thermocouple
feedthrough, stainless
steel, DN 16 ISO-KF**

PFEIFFER 

Mantle thermocouple feedthrough

PFEIFFER ➤

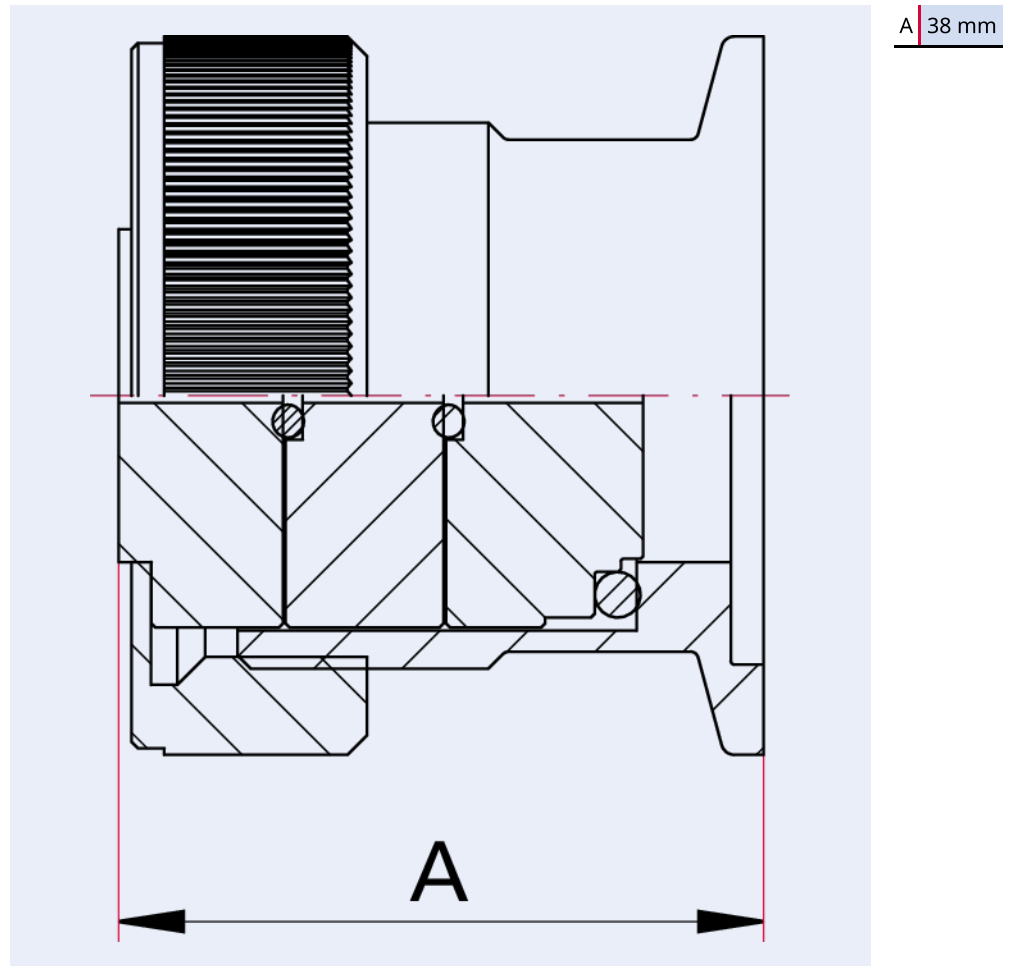


Illustration only

Mantle thermocouple feedthrough, stainless steel, DN 16 ISO-KF

- 1 mantle thermocouple
- For mantle thermocouples with diameter 1.5 mm
- Bigger diameters on request
- Vacuum-suitable sealing with two in-line arranged FKM seals
- Unused, open feedthroughs have to be closed

Dimensions



A | 38 mm

Technical Data	Mantle thermocouple feedthrough, stainless steel, DN 16 ISO-KF
Materials in contact with media	Stainless steel
Temperature range	15 – 130 °C
Number of feedthroughs	1 mantle thermocouple
Tightness	$1 \cdot 10^{-9}$ Pa m ³ /s $7.5 \cdot 10^{-9}$ Torr l/s $1 \cdot 10^{-8}$ mbar l/s
Connection flange	DN 16 ISO-KF
Pressure range	$1 \cdot 10^{-7}$ hPa – to ambient pressure
Temperature range max.	130 °C 266 °F 403.15 K
Temperature range min.	15 °C 5 °F 258.15 K

Order number	Mantle thermocouple feedthrough, stainless steel, DN 16 ISO-KF
Mantle thermocouple feedthrough, stainless steel, DN 16 ISO-KF	120XTD016-1



Errors and/or changes excepted. - 5/14/2025

Are you looking for an optimum vacuum solution?

Talk to us:

Pfeiffer Vacuum Components & Solutions GmbH Germany

T +49 551 99963-0

info-cs@pfeiffer-vacuum.com

Or scan the barcode, to visit our web page:



<https://webportal.pfeiffer-vacuum.com/global/en/contact>

Follow Us On Social Media

#pfeiffervacuum



www.pfeiffer-vacuum.com

PFEIFFER 