



# Clamping ring

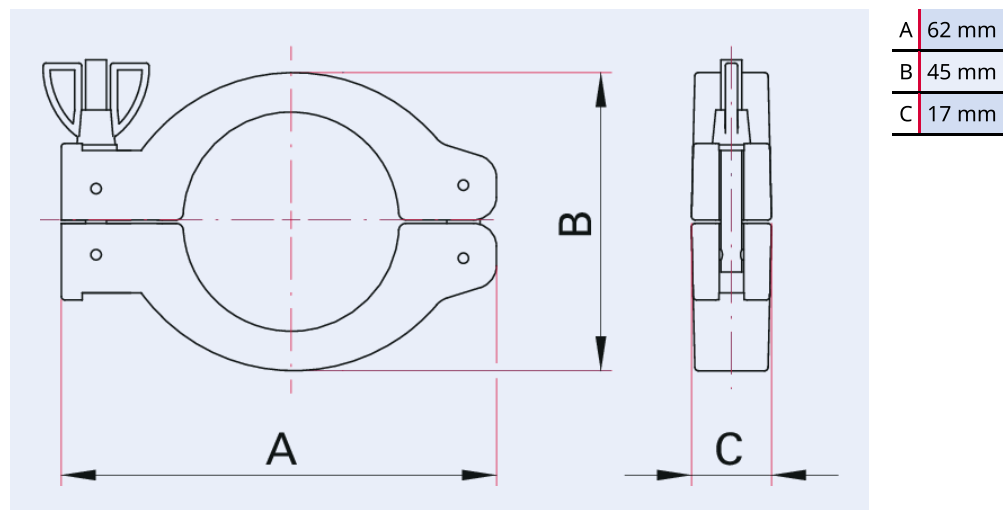


Illustration only

## Clamping ring for elastomer seal, stainless steel 304/1.4301, DN 10-16 ISO-KF

- Suitable for use with elastomer seals
- Not to be used for the installation of turbo pumps! Use the fastening elements given in the corresponding operating instructions.

## Dimensions



<b>Technical Data</b>	<b>Clamping ring for elastomer seal, stainless steel 304/1.4301, DN 10-16 ISO-KF</b>
Over pressure max.	1,500 hPa
Temperature range	196 – 200 °C
Overpressure max.	1,500 hPa   1,125 Torr   1,500 mbar
Connection flange	DN 10 – DN 16 ISO-KF
Torque	2 N m on wingnut
Material	Stainless steel 1.4301/304
Temperature range max.	200 °C   392 °F   473.15 K
Temperature range min.	196 °C   320.8 °F   77.15 K

<b>Order number</b>	<b>Clamping ring for elastomer seal, stainless steel 304/1.4301, DN 10-16 ISO-KF</b>
Clamping ring for elastomer seal, stainless steel 304/1.4301, DN 10-16 ISO-KF	120BSR016



Errors and/or changes excepted. - 5/14/2025

Are you looking for an optimum vacuum solution?

Talk to us:

**Pfeiffer Vacuum Components & Solutions GmbH Germany**

**T +49 551 99963-0**

**info-cs@pfeiffer-vacuum.com**

Or scan the barcode, to visit our web page:



<https://webportal.pfeiffer-vacuum.com/global/en/contact>

Follow Us On Social Media

#pfeiffervacuum



[www.pfeiffer-vacuum.com](http://www.pfeiffer-vacuum.com)

**PFEIFFER** 