



EVB 063 SA, Angle valve, manually actuated



PFEIFFER 

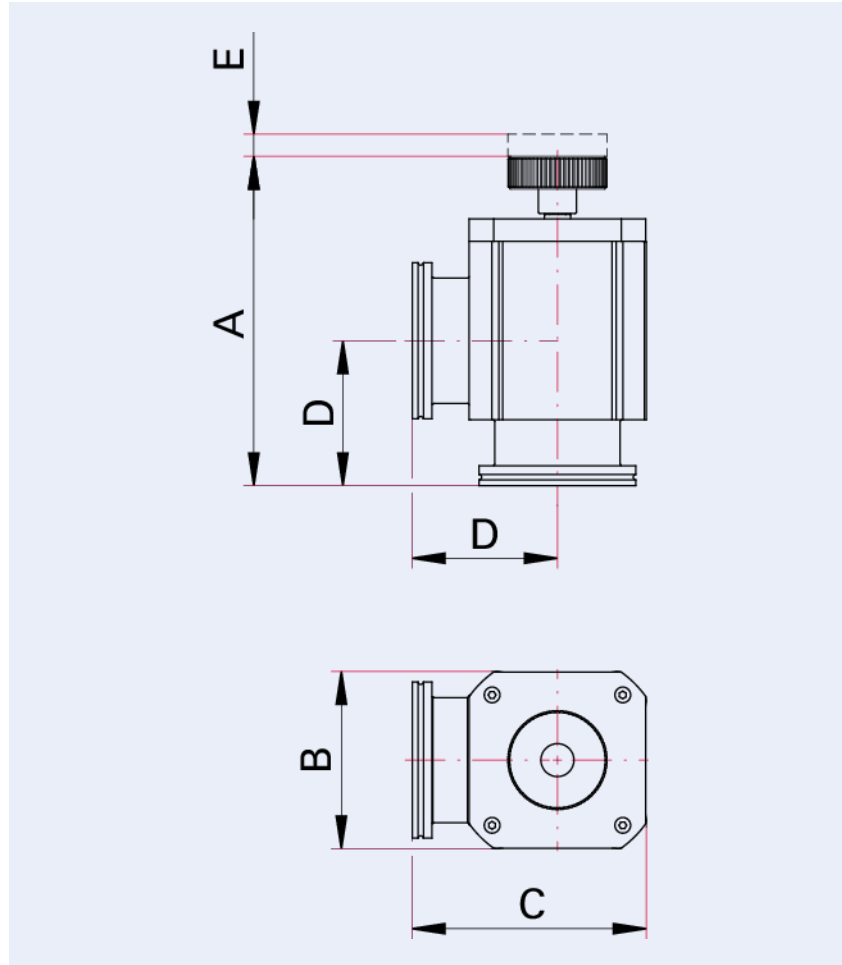


Illustration only

EVB 063 SA, Angle valve, manually actuated

- Spindle drive with ergonomic handwheel for continuous opening
- Bellows-sealed
- With visual indication of open and closed positions
- Service life: 20000 operating cycles

Dimensions



A	200 mm
B	108 mm
C	142 mm
D	88 mm
E	13.5 mm

Technical Data	EVB 063 SA, Angle valve, manually actuated
Feedthrough	Stainless steel Bellows
Opens against differential pressure of	1000 hPa
Seal	FKM
Type	Angle valve
Housing	Aluminum
Actuator	Spindle
Tightness	$1 \cdot 10^{-10}$ Pa m ³ /s $7.5 \cdot 10^{-10}$ Torr l/s $1 \cdot 10^{-9}$ mbar l/s
Bakeout temperature: actuator	80 °C 176 °F 353.15 K
Conductance value with molecular flow	160 l/s
Operating pressure min.	$1 \cdot 10^{-8}$ hPa $7.5 \cdot 10^{-9}$ Torr $1 \cdot 10^{-8}$ mbar
Pressure max. (absolute)	2,000 hPa 1,500 Torr 2,000 mbar
Bakeout temperature: housing	150 °C 302 °F 423.2 K
Differential pressure in closing direction	4,000 hPa 3,000 Torr 4,000 mbar
Differential pressure in opening direction	1,200 hPa 900 Torr 1,200 mbar
Weight approx.	2.9 kg 6.39 lb
Operating pressure min.	$1 \cdot 10^{-8}$ hPa
Pressure max. (absolute)	2,000 hPa
Connection flange	DN 63 ISO-K
Material	Aluminum
Differential pressure in closing direction	4,000 hPa
Differential pressure in opening direction	1,200 hPa
Weight	2.9 kg

Order number	EVB 063 SA, Angle valve, manually actuated
EVB 063 SA, Angle valve, manually actuated	310VEM063



Errors and/or changes excepted. - 5/15/2025

Are you looking for an optimum vacuum solution?
Talk to us:
Pfeiffer Vacuum Components & Solutions GmbH Germany
T +49 551 99963-0
info-cs@pfeiffer-vacuum.com

Or scan the barcode, to visit our web page:



<https://webportal.pfeiffer-vacuum.com/global/en/contact>

Follow Us On Social Media
#pfeiffervacuum



www.pfeiffer-vacuum.com

PFEIFFER 