



Spacer flange, stainless steel 304L, DN 160 CF

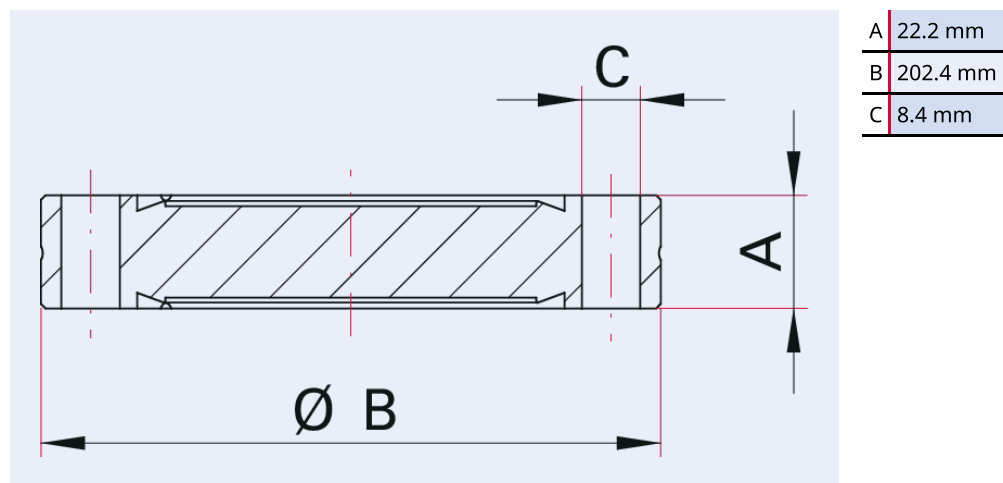
Spacer flange



Spacer flange, stainless steel 304L, DN 160 CF

Illustration only

Dimensions



Technical Data	Spacer flange, stainless steel 304L, DN 160 CF
Materials in contact with media	Stainless steel (AISI 304L)
Number of screws	20 Pieces
Temperature range	196 – 300 °C
Connection flange	DN 160 CF
Pressure range	$1 \cdot 10^{-12}$ hPa – to ambient pressure
Temperature range max.	300 °C 572 °F 573.15 K
Temperature range min.	196 °C 320.8 °F 77.15 K

Order number	Spacer flange, stainless steel 304L, DN 160 CF
Spacer flange, stainless steel 304L, DN 160 CF	420FDB160



Errors and/or changes excepted. - 5/14/2025

Are you looking for an optimum vacuum solution?

Talk to us:

Pfeiffer Vacuum Components & Solutions GmbH Germany

T +49 551 99963-0

info-cs@pfeiffer-vacuum.com

Or scan the barcode, to visit our web page:



<https://webportal.pfeiffer-vacuum.com/global/en/contact>

Follow Us On Social Media

#pfeiffervacuum



www.pfeiffer-vacuum.com

PFEIFFER 