



**Z-axis precision
manipulator,
motorized, 150 mm
stroke, stainless steel,
DN 100 CF**



PFEIFFER 

Z-Axis manipulator

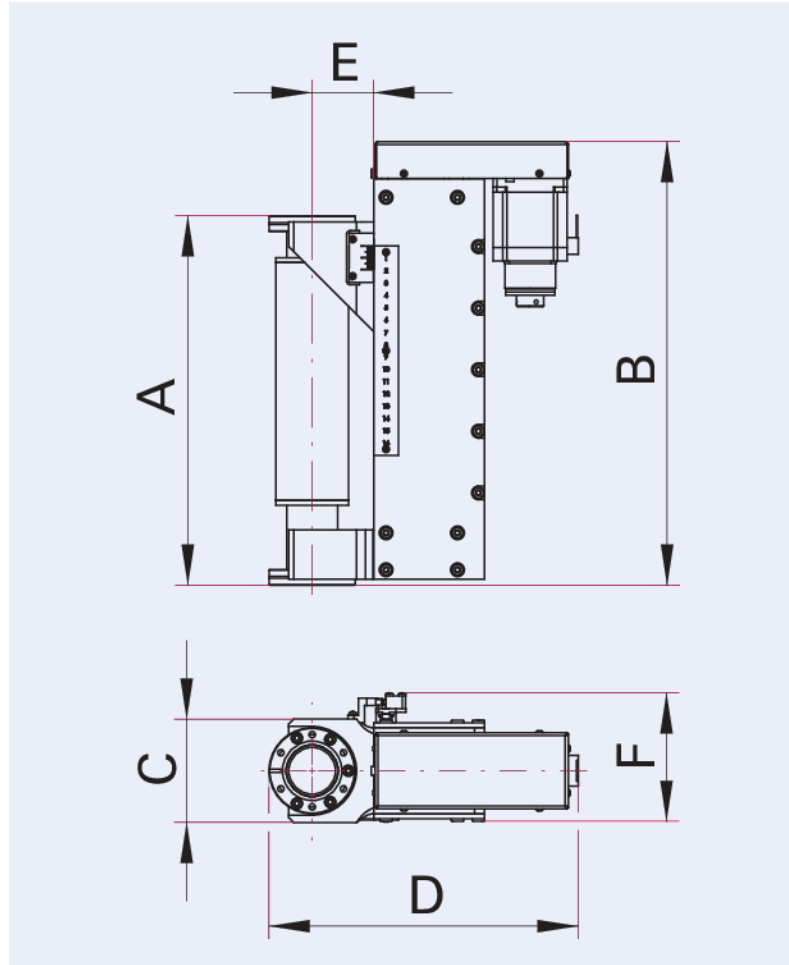


Illustration only

Z-axis precision manipulator, motorized, 150 mm stroke, stainless steel, DN 100 CF

- Recirculating ball bearing guides and recirculating ball screw drive
- Zero backlash and no slip-stick effect
- Guide and drive are wear-free and maintenance-free
- Extremely stable design concept minimizes position offset due to pressure changes
- Limit switches fully adjustable
- Fixing brake (currentless closed) prevents independent movement
- Power consumption brake: 24 V DC, 0.5 A
- Connection flange with through holes, traversable flange with threaded holes

Dimensions



A	190 - 340 mm
B	400 mm
C	176 mm
D	343 mm
E	91 mm
F	126 mm

Technical Data	Z-axis precision manipulator, motorized, 150 mm stroke, stainless steel, DN 100 CF
Motor rating	Motor, 4.8 V DC, max. 2.8 A/phase bipolar parallel
Motor type	2-ph stepping motor
Pitch of ball screw drive	2 mm/Rotation
Bakeout temperature without electric parts	230 °C
Bakeout temperature with electric parts	80 °C
Bellows guidance necessary	No
Operating temperature	-10 – 50 °C
Mounting orientation	Arbitrary
Tightness	<1 · 10 ⁻¹¹ Pa m ³ /s <7.5 · 10 ⁻¹¹ Torr l/s <1 · 10 ⁻¹⁰ mbar l/s
Stroke	150 mm 5.905515 inch
Bakeout temperature without electric parts	230 °C 446 °F 503.15 K
Bakeout temperature with electric parts	80 °C 176 °F 353.15 K
Maximum allowable payload	25 kg 55.12 lb
Resolution	1.25 µm (at 1/8 motor step)
Power consumption	Motor: 4.8 V DC; max. 2.8 A/phase bipolar parallel; brake: 24 V DC, 0.5 A
Repeatable precision	1.25 µm (at 1/8 motor step)
Connection flange	DN 100 CF
Pressure range	1 · 10 ⁻¹⁰ hPa – to ambient pressure
Inner diameter	DN 40: 38 mm; DN 63: 65 mm; DN 100: 102 mm
Material	Stainless steel (bellows: 316L, flange and tube 304L, housing 304)

Order number	Z-axis precision manipulator, motorized, 150 mm stroke, stainless steel, DN 100 CF
Z-axis precision manipulator, motorized, 150 mm stroke, stainless steel, DN 100 CF	420MZA100-150-m



Errors and/or changes excepted. - 5/14/2025

Are you looking for an optimum vacuum solution?

Talk to us:

Pfeiffer Vacuum Components & Solutions GmbH Germany

T +49 551 99963-0

info-cs@pfeiffer-vacuum.com

Or scan the barcode, to visit our web page:



<https://webportal.pfeiffer-vacuum.com/global/en/contact>

Follow Us On Social Media

#pfeiffervacuum



www.pfeiffer-vacuum.com

PFEIFFER 