



**Clamping ring for
elastomer seal,
aluminum ADC 12,
DN 20-25 ISO-KF**



PFEIFFER 

Clamping ring

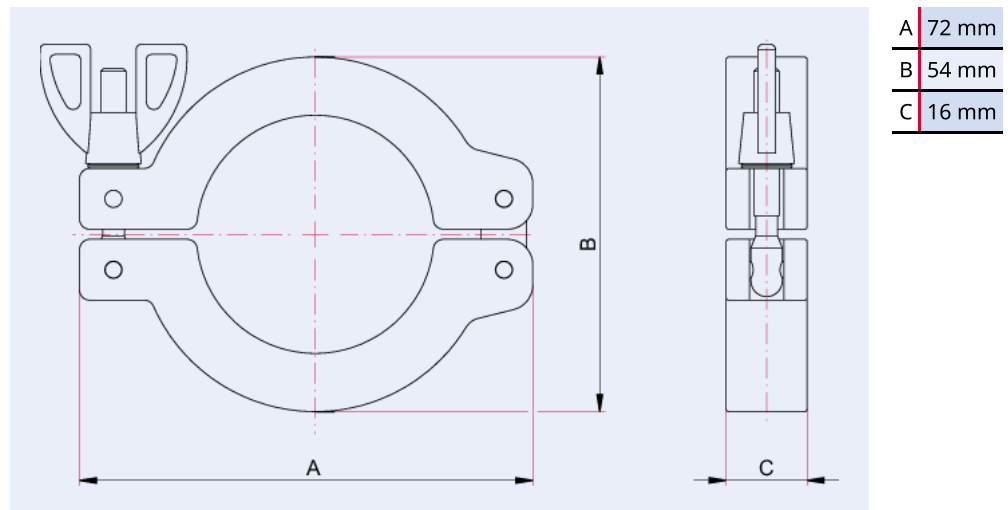


Illustration only

Clamping ring for elastomer seal, aluminum ADC 12, DN 20-25 ISO-KF

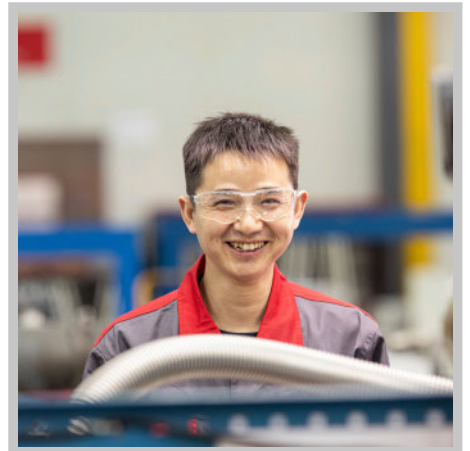
- Suitable for use with elastomer seals
- Not to be used for the installation of turbo pumps! Use the fastening elements given in the corresponding operating instructions.

Dimensions



Technical Data	Clamping ring for elastomer seal, aluminum ADC 12, DN 20-25 ISO-KF
Over pressure max.	1,500 hPa
Temperature range	196 – 200 °C
Overpressure max.	1,500 hPa 1,125 Torr 1,500 mbar
Connection flange	DN 20 – DN 25 ISO-KF
Torque	2 N m on wingnut
Material	Aluminum ADC 12
Temperature range max.	200 °C 392 °F 473.15 K
Temperature range min.	196 °C 320.8 °F 77.15 K

Order number	Clamping ring for elastomer seal, aluminum ADC 12, DN 20-25 ISO-KF
Clamping ring for elastomer seal, aluminum ADC 12, DN 20-25 ISO-KF	110BSR025



Errors and/or changes excepted. - 5/14/2025

Are you looking for an optimum vacuum solution?

Talk to us:

Pfeiffer Vacuum Components & Solutions GmbH Germany

T +49 551 99963-0

info-cs@pfeiffer-vacuum.com

Or scan the barcode, to visit our web page:



<https://webportal.pfeiffer-vacuum.com/global/en/contact>

Follow Us On Social Media

#pfeiffervacuum



www.pfeiffer-vacuum.com

PFEIFFER 