



Clamping ring (3-Part) for metal seals, aluminum, DN 50 ISO- KF



PFEIFFER 

Clamping ring

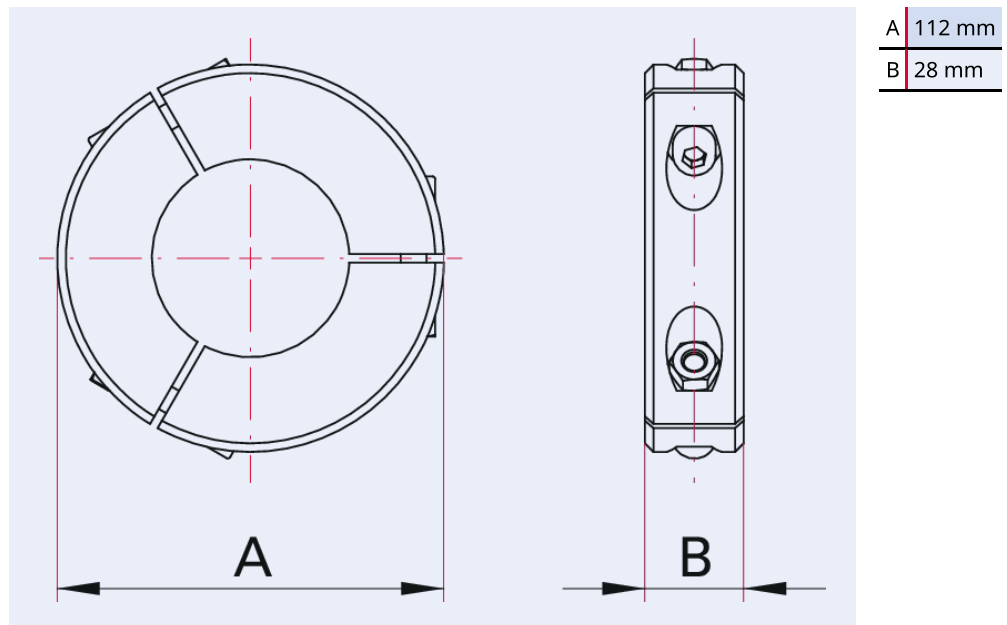


Illustration only

Clamping ring (3-Part) for metal seals, aluminum, DN 50 ISO-KF

- Suitable for use with metal and elastomer seals
- Screws: Hexagon socket, A2-70
- Not to be used for the installation of turbo pumps! Use the fastening elements given in the corresponding operating instructions.

Dimensions



Technical Data	Clamping ring (3-Part) for metal seals, aluminum, DN 50 ISO-KF
Over pressure max.	500 hPa
Screw	M8 x 35
Temperature range	196 – 200 °C
Overpressure max.	500 hPa 375 Torr 500 mbar
Connection flange	DN 50 ISO-KF
Material	Aluminum
Temperature range max.	200 °C 392 °F 473.15 K
Temperature range min.	196 °C 320.8 °F 77.15 K

Order number	Clamping ring (3-Part) for metal seals, aluminum, DN 50 ISO-KF
Clamping ring (3-Part) for metal seals, aluminum, DN 50 ISO-KF	110BSD050



Errors and/or changes excepted. - 5/14/2025

Are you looking for an optimum vacuum solution?

Talk to us:

Pfeiffer Vacuum Components & Solutions GmbH Germany

T +49 551 99963-0

info-cs@pfeiffer-vacuum.com

Or scan the barcode, to visit our web page:



<https://webportal.pfeiffer-vacuum.com/global/en/contact>

Follow Us On Social Media

#pfeiffervacuum



www.pfeiffer-vacuum.com

PFEIFFER 