



High vacuum chamber, vertical, KVH, DN 500



PFEIFFER 

High vacuum chamber

PFEIFFER 

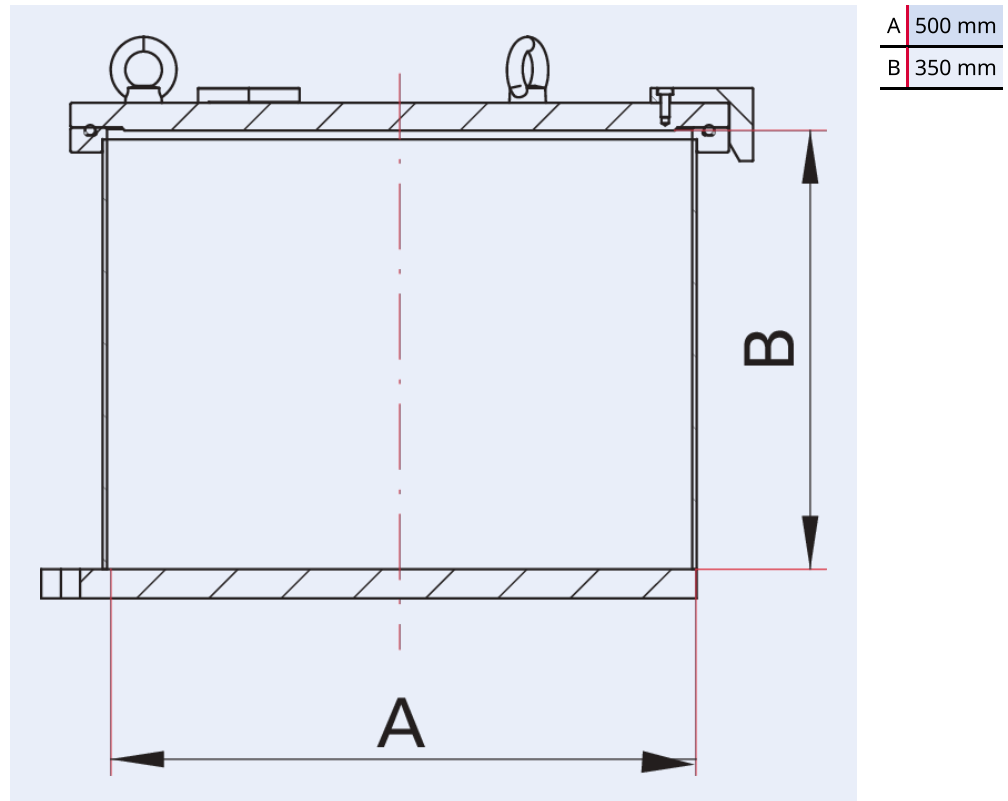


Illustration only

High vacuum chamber, vertical, KVH, DN 500

- Cylindrical, vertical body with a welded flat bottom and top flange with FKM seal
- Cover with ring bolts and external guides for easy installation and protection of the sealing surface
- Surface: inside and outside glass bead blasted
- Chamber with mounting straps
- Chamber ports available (accessories)

Dimensions



Technical Data

Technical Data	High vacuum chamber, vertical, KVH, DN 500
Temperature range	15 – 150 °C
Tightness	$<1 \cdot 10^{-9}$ Pa m ³ /s $<7.5 \cdot 10^{-9}$ Torr l/s $<1 \cdot 10^{-8}$ mbar l/s
Connection flange	DN 500
Pressure range	$1 \cdot 10^{-7}$ hPa – to ambient pressure
Material	Chamber body and cover made from stainless steel 304 (1.4301)
Temperature range max.	150 °C 302 °F 423.15 K
Temperature range min.	15 °C 5 °F 258.15 K

Order number

Order number	High vacuum chamber, vertical, KVH, DN 500
High vacuum chamber, vertical, KVH, DN 500	820KVH0500-350



Errors and/or changes excepted. - 5/14/2025

Are you looking for an optimum vacuum solution?

Talk to us:

Pfeiffer Vacuum Components & Solutions GmbH Germany

T +49 551 99963-0

info-cs@pfeiffer-vacuum.com

Or scan the barcode, to visit our web page:



<https://webportal.pfeiffer-vacuum.com/global/en/contact>

Follow Us On Social Media

#pfeiffervacuum



www.pfeiffer-vacuum.com

PFEIFFER 