

**Manometer, suitable
for UHV, DN 16 CF**

PFEIFFER 

Bourdon manometer

PFEIFFER 

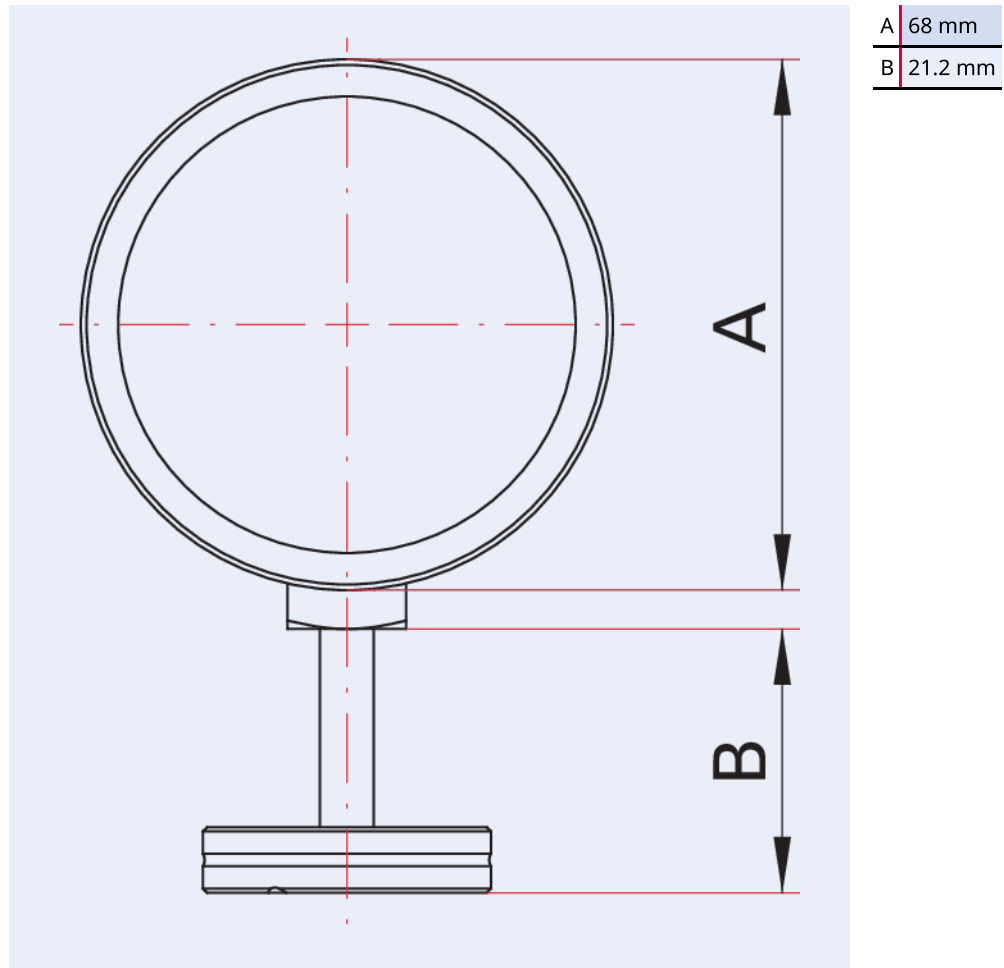


Illustration only

Manometer, suitable for UHV, DN 16 CF

- Mechanical bourdon manometer
- For coarse vacuum display, suitable for UHV and bake-out
- Corrosion resistant
- Options: Other connectors, e. g. VCR, Swagelok®, or customer-specific

Dimensions



Technical Data	Manometer, suitable for UHV, DN 16 CF
Measuring range	$1 \cdot 10^{-1} - 1.5 \cdot 10^3$ hPa
Materials in contact with media	Stainless steel
Scale	-1 to +0.6 bar
Ambient temperature	20 – 60 °C
Measuring method	Bourdon
Tightness	$<1 \cdot 10^{-10}$ Pa m ³ /s $<7.5 \cdot 10^{-10}$ Torr l/s $<1 \cdot 10^{-9}$ mbar l/s
Temperature: Medium	≤ 150 °C ≤ 302 °F ≤ 423 K
Temperature: Medium	≤ 150 °C
Connection flange	DN 16 CF

Order number	Manometer, suitable for UHV, DN 16 CF
Manometer, suitable for UHV, DN 16 CF	420C-MAN016-Int.A



Errors and/or changes excepted. - 5/14/2025

Are you looking for an optimum vacuum solution?

Talk to us:

Pfeiffer Vacuum Components & Solutions GmbH Germany

T +49 551 99963-0

info-cs@pfeiffer-vacuum.com

Or scan the barcode, to visit our web page:



<https://webportal.pfeiffer-vacuum.com/global/en/contact>

Follow Us On Social Media

#pfeiffervacuum



www.pfeiffer-vacuum.com

PFEIFFER 