

Screwing flange

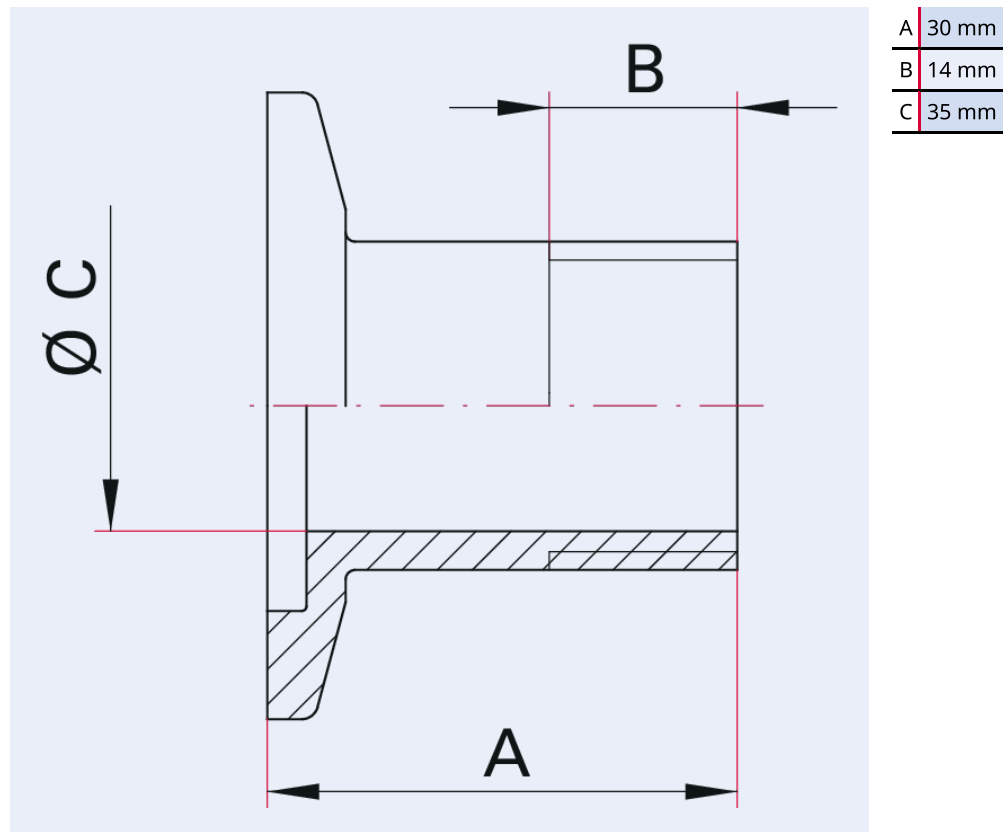


Illustration only

Screw-in flange without seal, stainless steel 304/1.4301, DN 40 ISO-KF, G1 25"

- Material: Stainless steel

Dimensions



| Technical Data | Screw-in flange without seal, stainless steel 304/1.4301, DN 40 ISO-KF, G1 25" |
|---------------------------------|---|
| Materials in contact with media | Stainless steel 1.4301 (AISI 304) |
| Thread | G 1 1/4" |
| Temperature range | 196 – 300 °C |
| Connection flange | DN 40 ISO-KF |
| Temperature range max. | 300 °C 572 °F 573.15 K |
| Temperature range min. | 196 °C 320.8 °F 77.15 K |

| Order number | Screw-in flange without seal, stainless steel 304/1.4301, DN 40 ISO-KF, G1 25" |
|--|---|
| Screw-in flange without seal, stainless steel 304/1.4301, DN 40 ISO-KF, G1 25" | 120AEI040-1250 |



Errors and/or changes excepted. - 5/14/2025

Are you looking for an optimum vacuum solution?
Talk to us:
Pfeiffer Vacuum Components & Solutions GmbH Germany
T +49 551 99963-0
info-cs@pfeiffer-vacuum.com

Or scan the barcode, to visit our web page:



<https://webportal.pfeiffer-vacuum.com/global/en/contact>

Follow Us On Social Media
#pfeiffervacuum



www.pfeiffer-vacuum.com

PFEIFFER 