



Tee, aluminum EN AW-6082/3.2315, DN 16 ISO-KF

PFEIFFER 

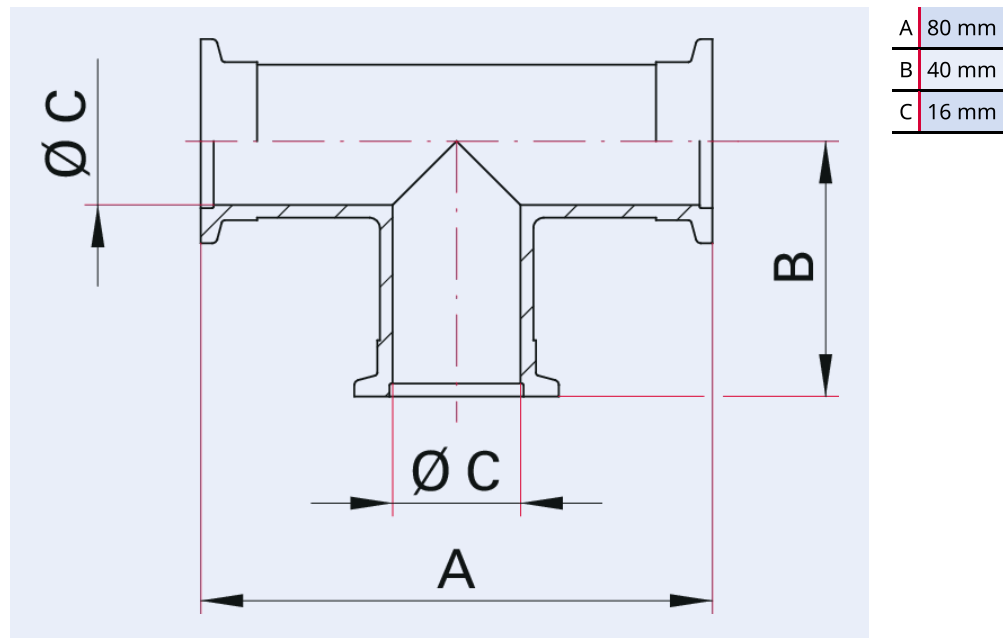
T-piece



Illustration only

Tee, aluminum EN AW-6082/3.2315, DN 16 ISO-KF

Dimensions



Technical Data

Tee, aluminum EN AW-6082/3.2315, DN 16 ISO-KF

Materials in contact with media	Aluminum 3.2315/EN AW-6082
Temperature range	196 – 150 °C
Connection flange	DN 16 ISO-KF
Pressure range	$1 \cdot 10^{-8}$ hPa – $5 \cdot 10^2$ hPa over pressure
Material	Aluminum
Temperature range max.	150 °C 302 °F 423.15 K
Temperature range min.	196 °C 320.8 °F 77.15 K

Order number**Tee, aluminum EN AW-6082/3.2315,
DN 16 ISO-KF**Tee, aluminum EN AW-6082/3.2315,
DN 16 ISO-KF

110RTS016



Errors and/or changes excepted. - 5/14/2025

Are you looking for an optimum vacuum solution?
Talk to us:
Pfeiffer Vacuum Components & Solutions GmbH Germany
T +49 551 99963-0
info-cs@pfeiffer-vacuum.com

Or scan the barcode, to visit our web page:



<https://webportal.pfeiffer-vacuum.com/global/en/contact>

Follow Us On Social Media
#pfeiffervacuum



www.pfeiffer-vacuum.com

PFEIFFER 