



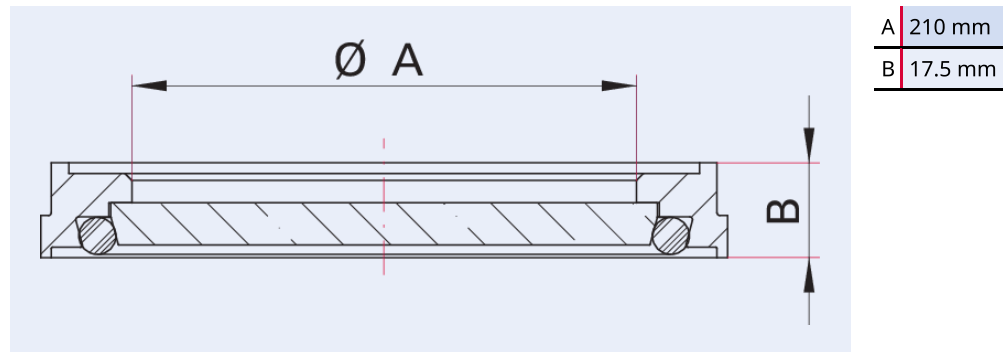


Illustration only

## Viewport, stainless steel / borosilicate, DN 200 ISO-K

- Frame with integrated FKM O-ring, installation without additional seal
- Circumferential rim for outer centering on the ISO-K counter flange
- Not suitable for mounting on base plate or with ISO-F flange
- Caution! Risk of injury by glass splinters. Do not use viewports which show apparent damage

## Dimensions



Technical Data	Viewport, stainless steel / borosilicate, DN 200 ISO-K
Temperature range	15 – 150 °C
Heat up and cool down rate	≤5 K/min
Connection flange	DN 200 ISO-K
Pressure range	$1 \cdot 10^{-8}$ hPa – to ambient pressure
Material	Stainless steel / Borosilicate
Temperature range max.	150 °C   302 °F   423.15 K
Temperature range min.	15 °C   5 °F   258.15 K

<b>Order number</b>	<b>Viewport, stainless steel / borosilicate, DN 200 ISO-K</b>
Viewport, stainless steel / borosilicate, DN 200 ISO-K	322GSG200



Errors and/or changes excepted. - 5/14/2025

Are you looking for an optimum vacuum solution?

Talk to us:

**Pfeiffer Vacuum Components & Solutions GmbH Germany**

**T +49 551 99963-0**

**info-cs@pfeiffer-vacuum.com**

Or scan the barcode, to visit our web page:



<https://webportal.pfeiffer-vacuum.com/global/en/contact>

Follow Us On Social Media

#pfeiffervacuum



[www.pfeiffer-vacuum.com](http://www.pfeiffer-vacuum.com)

**PFEIFFER** 