

**Half nipple, rotatable  
with thread, stainless  
steel, DN 40 CF**

---



**PFEIFFER** 

# Half nipple, rotatable

PFEIFFER 

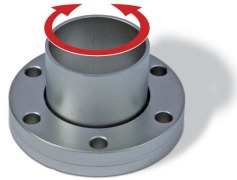
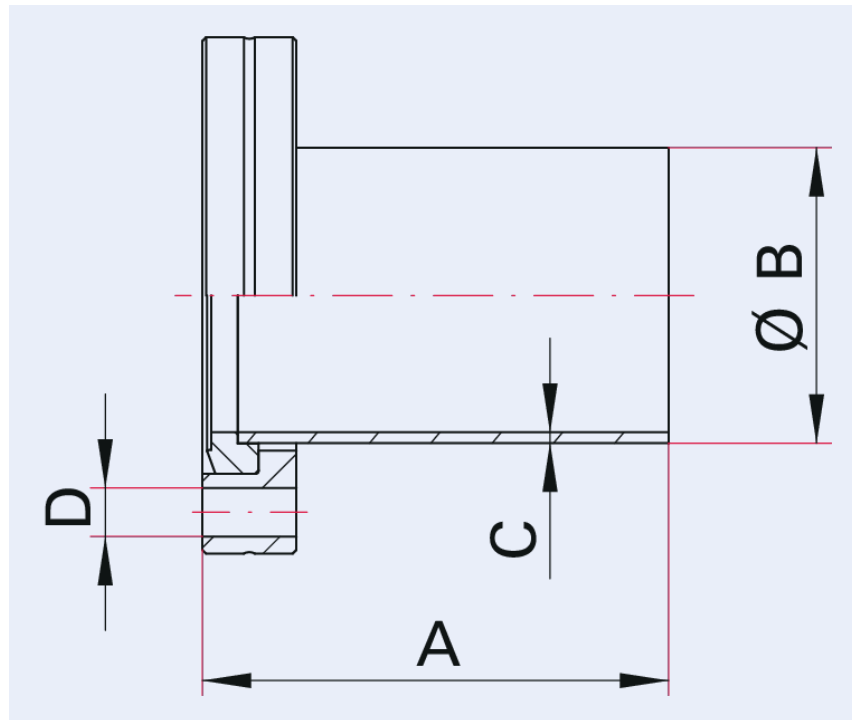


Illustration only

## Half nipple, rotatable with thread, stainless steel, DN 40 CF

- Pipe surface: glass-bead blasted (polished version on request)
- Other flange and tube materials on request
- Other pipe dimensions on request

## Dimensions



A	63 mm
B	40 mm
C	1.5 mm
D	M6

<b>Technical Data</b>	<b>Half nipple, rotatable with thread, stainless steel, DN 40 CF</b>
Pipe dimension	40 mm × 1.5 mm
Thread	M 6
Temperature range	196 – 300 °C
Tightness	1 · 10 <sup>-11</sup> Pa m <sup>3</sup> /s   7.5 · 10 <sup>-11</sup> Torr l/s   1 · 10 <sup>-10</sup> mbar l/s
Connection flange	DN 40 CF
Pressure range	1 · 10 <sup>-12</sup> hPa – to ambient pressure
Material	Flange: stainless steel 304L; tube: stainless steel 304L or better
Temperature range max.	300 °C   572 °F   573.15 K
Temperature range min.	196 °C   320.8 °F   77.15 K

<b>Order number</b>	<b>Half nipple, rotatable with thread, stainless steel, DN 40 CF</b>
Half nipple, rotatable with thread, stainless steel, DN 40 CF	420FRD040-40-63-G



Errors and/or changes excepted. - 5/14/2025

Are you looking for an optimum vacuum solution?

Talk to us:

**Pfeiffer Vacuum Components & Solutions GmbH Germany**

**T +49 551 99963-0**

**info-cs@pfeiffer-vacuum.com**

Or scan the barcode, to visit our web page:



<https://webportal.pfeiffer-vacuum.com/global/en/contact>

Follow Us On Social Media

#pfeiffervacuum



[www.pfeiffer-vacuum.com](http://www.pfeiffer-vacuum.com)

**PFEIFFER** 