



**Welding flange,
rotatable with imperial
(Inch) thread, stainless
steel 304L, DN 250 CF**



PFEIFFER 

Welding flange, rotatable

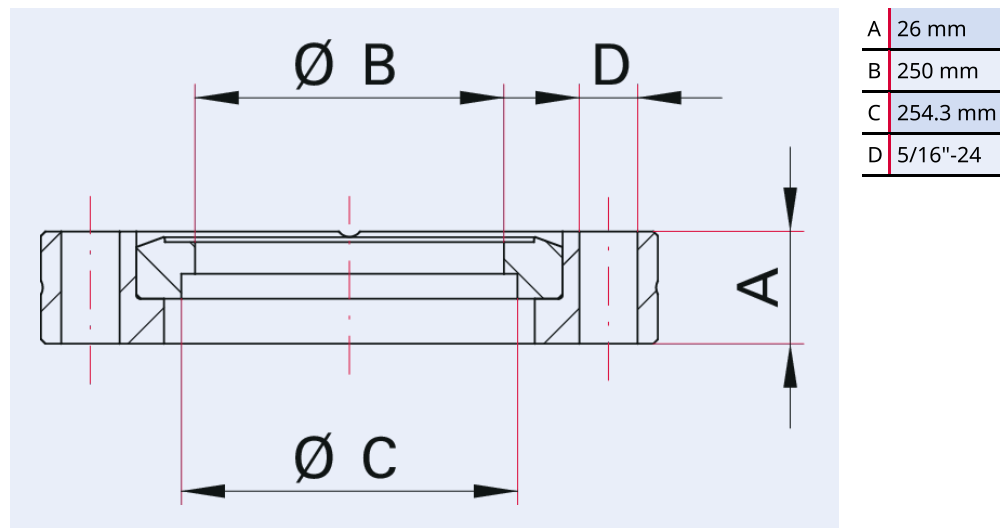
PFEIFFER 



Illustration only

Welding flange, rotatable with imperial (Inch) thread, stainless steel 304L, DN 250 CF

Dimensions



| Technical Data | Welding flange, rotatable with imperial (Inch) thread, stainless steel 304L, DN 250 CF |
|---------------------------------|--|
| Materials in contact with media | Stainless steel (AISI 304L) |
| Number of screws | 32 Pieces |
| Pipe dimension | 254 mm × 2 mm |
| Thread | 5/16" - 24 UNF |
| Temperature range | 196 – 300 °C |
| Connection flange | DN 250 CF |
| Pressure range | 1 · 10 ⁻¹² hPa – to ambient pressure |
| Temperature range max. | 300 °C 572 °F 573.15 K |
| Temperature range min. | 196 °C 320.8 °F 77.15 K |

| Order number | Welding flange, rotatable with imperial (Inch) thread, stainless steel 304L, DN 250 CF |
|--|---|
| Welding flange, rotatable with imperial (Inch) thread, stainless steel 304L, DN 250 CF | 420FAD250-254-T |



Errors and/or changes excepted. - 5/14/2025

Are you looking for an optimum vacuum solution?
Talk to us:
Pfeiffer Vacuum Components & Solutions GmbH Germany
T +49 551 99963-0
info-cs@pfeiffer-vacuum.com

Or scan the barcode, to visit our web page:



<https://webportal.pfeiffer-vacuum.com/global/en/contact>

Follow Us On Social Media
#pfeiffervacuum



www.pfeiffer-vacuum.com

PFEIFFER 