



**Viewport retainer for
optical glasses, CF
flange with viewport
retainer, DN 63 CF**

PFEIFFER 

Viewport retainer

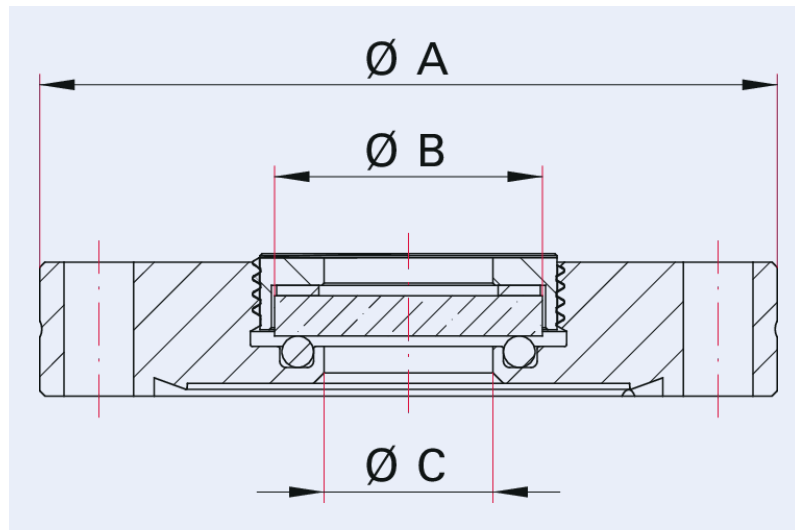


Illustration only

Viewport retainer for optical glasses, CF flange with viewport retainer, DN 63 CF

- Simple replacement of glasses
- Accessories: Face wrench, optical glasses
- Glass not included

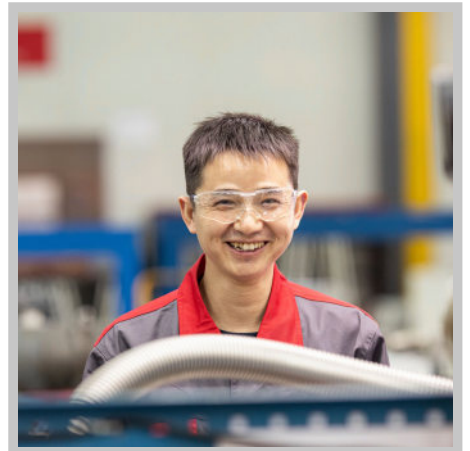
Dimensions



A	113.5 mm
B	49.8 - 51 mm
C	40 mm

Technical Data	Viewport retainer for optical glasses, CF flange with viewport retainer, DN 63 CF
Number of screws	8 Pieces
Temperature range	15 – 150 °C
Connection flange	DN 63 CF
Glass thickness	3.8 – 8 mm
Pressure range	$1 \cdot 10^{-8}$ hPa – $5 \cdot 10^2$ hPa over pressure
Temperature range max.	150 °C 302 °F 423.15 K
Temperature range min.	15 °C 5 °F 258.15 K

Order number	Viewport retainer for optical glasses, CF flange with viewport retainer, DN 63 CF
Viewport retainer for optical glasses, CF flange with viewport retainer, DN 63 CF	420GAG063-50



Errors and/or changes excepted. - 5/14/2025

Are you looking for an optimum vacuum solution?

Talk to us:

Pfeiffer Vacuum Components & Solutions GmbH Germany

T +49 551 99963-0

info-cs@pfeiffer-vacuum.com

Or scan the barcode, to visit our web page:



<https://webportal.pfeiffer-vacuum.com/global/en/contact>

Follow Us On Social Media

#pfeiffervacuum



www.pfeiffer-vacuum.com

PFEIFFER 