



**Outer centering ring
with inner support ring,
aluminum, FKM,
DN 50 ISO-KF**

PFEIFFER 

Outer centering ring

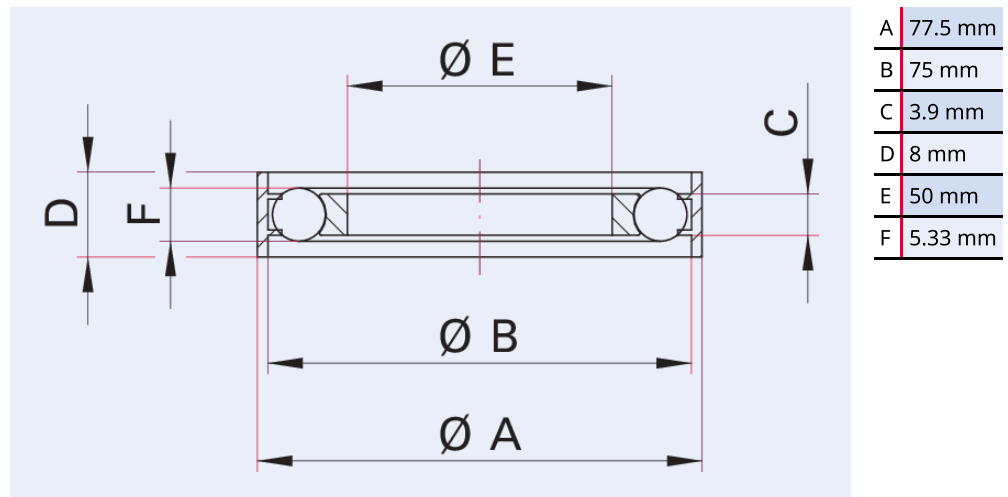


Illustration only

Outer centering ring with inner support ring, aluminum, FKM, DN 50 ISO-KF

- Inner support ring: Stainless steel
- Outer centering ring: Aluminum

Dimensions



Technical Data

Technical Data	Outer centering ring with inner support ring, aluminum, FKM, DN 50 ISO-KF
Materials in contact with media	Stainless steel 1.4301 (AISI 304) FKM
O-ring material	FKM
Temperature range	15 - 150 °C
Connection flange	DN 50 ISO-KF
Temperature range max.	150 °C 302 °F 423.15 K
Temperature range min.	15 °C 5 °F 258.15 K

Order number	Outer centering ring with inner support ring, aluminum, FKM, DN 50 ISO-KF
Outer centering ring with inner support ring, aluminum, FKM, DN 50 ISO-KF	112ZAI050



Errors and/or changes excepted. - 5/14/2025

Are you looking for an optimum vacuum solution?
Talk to us:
Pfeiffer Vacuum Components & Solutions GmbH Germany
T +49 551 99963-0
info-cs@pfeiffer-vacuum.com

Or scan the barcode, to visit our web page:



<https://webportal.pfeiffer-vacuum.com/global/en/contact>

Follow Us On Social Media
#pfeiffervacuum



www.pfeiffer-vacuum.com

PFEIFFER 