



**Mantle thermocouple  
feedthrough, stainless  
steel, DN 25 ISO-KF**

---

**PFEIFFER** 

# Mantle thermocouple feedthrough

PFEIFFER ➤

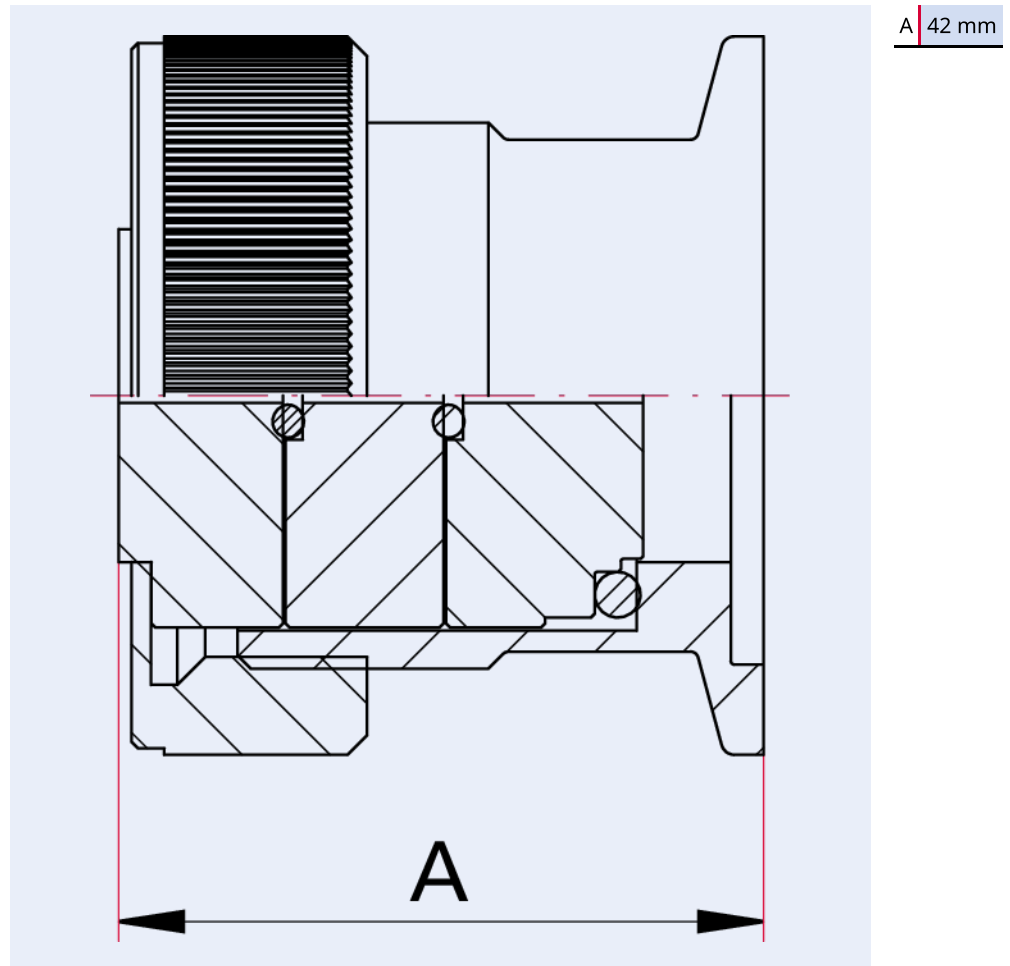


Illustration only

## **Mantle thermocouple feedthrough, stainless steel, DN 25 ISO-KF**

- 3 mantle thermocouples
- For mantle thermocouples with diameter 1.5 mm
- Bigger diameters on request
- Vacuum-suitable sealing with two in-line arranged FKM seals
- Unused, open feedthroughs have to be closed

## Dimensions



A 42 mm

Technical Data	Mantle thermocouple feedthrough, stainless steel, DN 25 ISO-KF
Materials in contact with media	Stainless steel
Temperature range	15 – 130 °C
Number of feedthroughs	3 mantle thermocouples
Tightness	$1 \cdot 10^{-9}$ Pa m <sup>3</sup> /s   $7.5 \cdot 10^{-9}$ Torr l/s   $1 \cdot 10^{-8}$ mbar l/s
Connection flange	DN 25 ISO-KF
Pressure range	$1 \cdot 10^{-7}$ hPa – to ambient pressure
Temperature range max.	130 °C   266 °F   403.15 K
Temperature range min.	15 °C   5 °F   258.15 K

Order number	Mantle thermocouple feedthrough, stainless steel, DN 25 ISO-KF
Mantle thermocouple feedthrough, stainless steel, DN 25 ISO-KF	120XTD025-3



Errors and/or changes excepted. - 5/14/2025

Are you looking for an optimum vacuum solution?

Talk to us:

**Pfeiffer Vacuum Components & Solutions GmbH Germany**

**T +49 551 99963-0**

**info-cs@pfeiffer-vacuum.com**

Or scan the barcode, to visit our web page:



<https://webportal.pfeiffer-vacuum.com/global/en/contact>

Follow Us On Social Media

#pfeiffervacuum



[www.pfeiffer-vacuum.com](http://www.pfeiffer-vacuum.com)

**PFEIFFER** 