



**CR sleeve, DN 40 ISO-KF**

---

**PFEIFFER** 

# CR sleeve

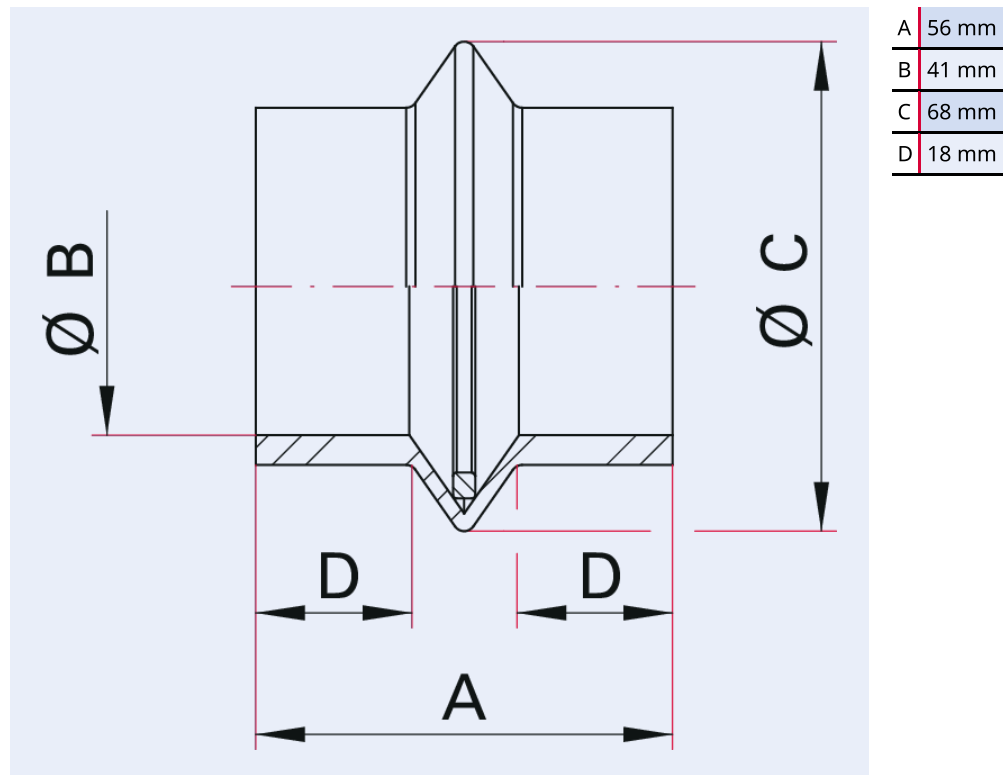


Illustration only

## CR sleeve, DN 40 ISO-KF

- Sleeve made from chloroprene rubber

## Dimensions



<b>Technical Data</b>	<b>CR sleeve, DN 40 ISO-KF</b>
Materials in contact with media	Chloroprene rubber (CR)
Temperature range	5 - 120 °C
Connection flange	DN 40 ISO-KF
Pressure range	1 · 10 <sup>-5</sup> hPa - to ambient pressure
Connection	Adapter for PVC hose (see adapters) and hose clamp (see accessories)
Temperature range max.	120 °C   248 °F   393.15 K
Temperature range min.	5 °C   23 °F   268.15 K

<b>Order number</b>	<b>CR sleeve, DN 40 ISO-KF</b>
CR sleeve, DN 40 ISO-KF	130SMA045.A



Errors and/or changes excepted. - 5/14/2025

Are you looking for an optimum vacuum solution?

Talk to us:

**Pfeiffer Vacuum Components & Solutions GmbH Germany**

**T +49 551 99963-0**

**info-cs@pfeiffer-vacuum.com**

Or scan the barcode, to visit our web page:



<https://webportal.pfeiffer-vacuum.com/global/en/contact>

Follow Us On Social Media

#pfeiffervacuum



[www.pfeiffer-vacuum.com](http://www.pfeiffer-vacuum.com)

**PFEIFFER** 