



**Corrugated hose,
flexible, annealed;
stainless steel,
DN 63 ISO-K, length 750
mm**



Corrugated hose

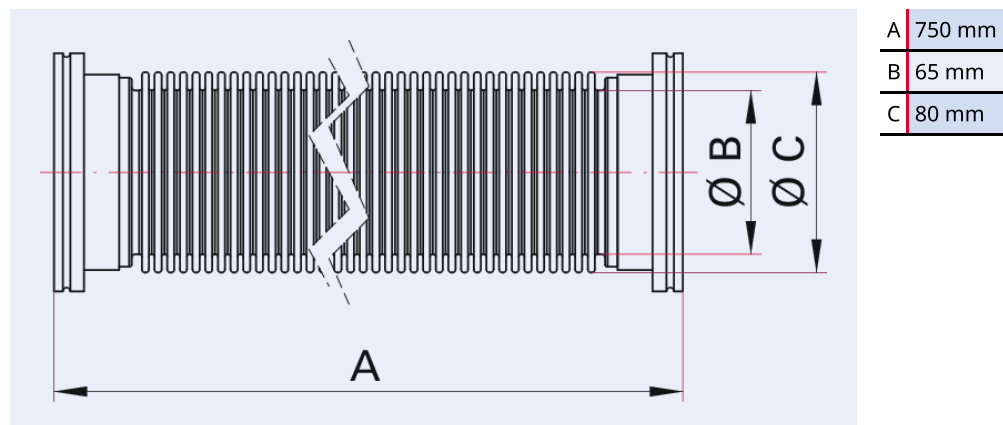


Illustration only

Corrugated hose, flexible, annealed; stainless steel, DN 63 ISO-K, length 750 mm

- Flange connection length 30 mm
- Stress relieved; low reset force when bent
- Custom lengths on request

Dimensions



Technical Data

Corrugated hose, flexible, annealed; stainless steel, DN 63 ISO-K, length 750 mm

Temperature range	196 – 300 °C
Overpressure max.	500 hPa 375 Torr 500 mbar
Bending radius, one-time movement	90 mm 3.54 inch
Pressure min.	$1 \cdot 10^{-8}$ hPa $7.5 \cdot 10^{-9}$ Torr $1 \cdot 10^{-8}$ mbar
Connection flange	DN 63 ISO-K
Material	Stainless steel: Flange 1.4301/304; Bellows 316L
Temperature range max.	300 °C 572 °F 573.15 K
Temperature range min.	196 °C 320.8 °F 77.15 K

Order number	Corrugated hose, flexible, annealed; stainless steel, DN 63 ISO-K, length 750 mm
Corrugated hose, flexible, annealed; stainless steel, DN 63 ISO-K, length 750 mm	320SWG063-0750



Errors and/or changes excepted. - 5/14/2025

Are you looking for an optimum vacuum solution?
Talk to us:
Pfeiffer Vacuum Components & Solutions GmbH Germany
T +49 551 99963-0
info-cs@pfeiffer-vacuum.com

Or scan the barcode, to visit our web page:



<https://webportal.pfeiffer-vacuum.com/global/en/contact>

Follow Us On Social Media
#pfeiffervacuum



www.pfeiffer-vacuum.com

PFEIFFER 