



**Screw-in flange without
seal, stainless steel
304/1.4301, DN 25 ISO-
KF, G1**

PFEIFFER 

Screwing flange

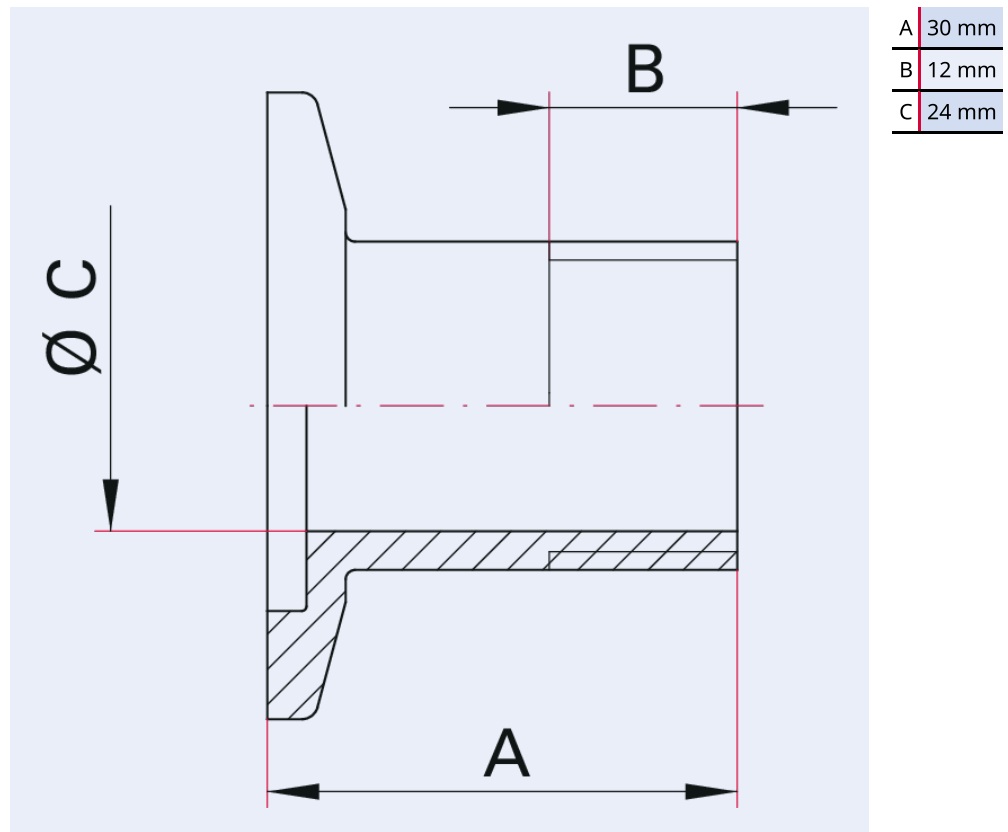


Illustration only

Screw-in flange without seal, stainless steel 304/1.4301, DN 25 ISO-KF, G1

- Material: Stainless steel

Dimensions



Technical Data	Screw-in flange without seal, stainless steel 304/1.4301, DN 25 ISO-KF, G1
Materials in contact with media	Stainless steel 1.4301 (AISI 304)
Thread	G 1"
Temperature range	196 – 300 °C
Connection flange	DN 25 ISO-KF
Temperature range max.	300 °C 572 °F 573.15 K
Temperature range min.	196 °C 320.8 °F 77.15 K

Order number	Screw-in flange without seal, stainless steel 304/1.4301, DN 25 ISO-KF, G1
Screw-in flange without seal, stainless steel 304/1.4301, DN 25 ISO-KF, G1	120AEI025-1000



Errors and/or changes excepted. - 5/14/2025

Are you looking for an optimum vacuum solution?

Talk to us:

Pfeiffer Vacuum Components & Solutions GmbH Germany

T +49 551 99963-0

info-cs@pfeiffer-vacuum.com

Or scan the barcode, to visit our web page:



<https://webportal.pfeiffer-vacuum.com/global/en/contact>

Follow Us On Social Media

#pfeiffervacuum



www.pfeiffer-vacuum.com

PFEIFFER 