



**Welding flange,
stainless steel 304L,
DN 100 CF, 108 mm**



PFEIFFER 

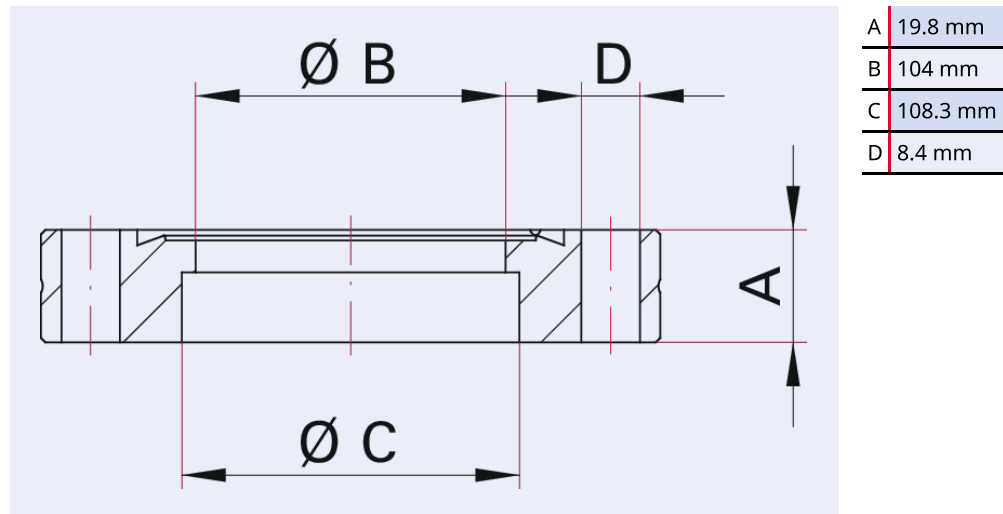
Welding flange



Illustration only

Welding flange, stainless steel 304L, DN 100 CF, 108 mm

Dimensions



Technical Data	Welding flange, stainless steel 304L, DN 100 CF, 108 mm
Materials in contact with media	Stainless steel (AISI 304L)
Number of screws	16 Pieces
Pipe dimension	108 mm × 2 mm
Temperature range	196 – 300 °C
Connection flange	DN 100 CF
Pressure range	1 · 10 ⁻¹² hPa – to ambient pressure
Temperature range max.	300 °C 572 °F 573.15 K
Temperature range min.	196 °C 320.8 °F 77.15 K

Order number	Welding flange, stainless steel 304L, DN 100 CF, 108 mm
Welding flange, stainless steel 304L, DN 100 CF, 108 mm	420FAN100-108



Errors and/or changes excepted. - 5/14/2025

Are you looking for an optimum vacuum solution?
Talk to us:
Pfeiffer Vacuum Components & Solutions GmbH Germany
T +49 551 99963-0
info-cs@pfeiffer-vacuum.com

Or scan the barcode, to visit our web page:



<https://webportal.pfeiffer-vacuum.com/global/en/contact>

Follow Us On Social Media
#pfeiffervacuum



www.pfeiffer-vacuum.com

PFEIFFER 