



**Corrugated hose,  
flexible, annealed;  
stainless steel;  
DN 100 ISO-K, length  
1000 mm**

---



**PFEIFFER** 

# Corrugated hose

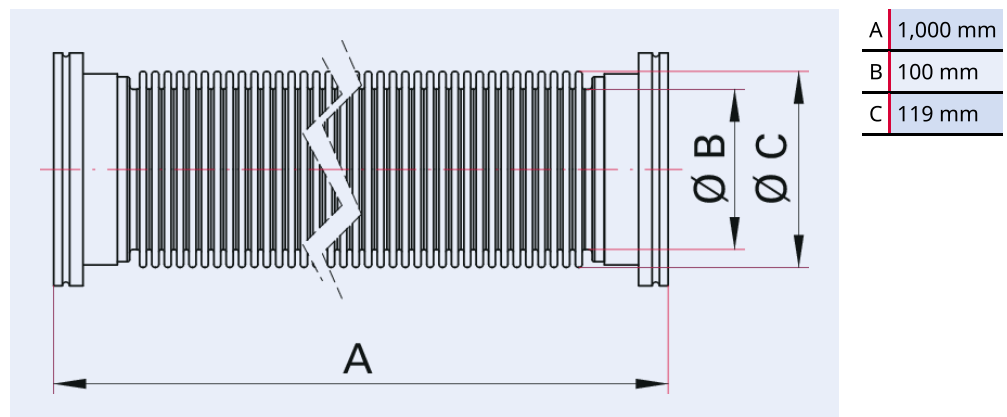


Illustration only

## Corrugated hose, flexible, annealed; stainless steel; DN 100 ISO-K, length 1000 mm

- Flange connection length 30 mm
- Stress relieved; low reset force when bent
- Custom lengths on request

### Dimensions



Technical Data	Corrugated hose, flexible, annealed; stainless steel; DN 100 ISO-K, length 1000 mm
Temperature range	196 – 300 °C
Overpressure max.	300 hPa   225 Torr   300 mbar
Bending radius, one-time movement	131 mm   5.16 inch
Pressure min.	$1 \cdot 10^{-8}$ hPa   $7.5 \cdot 10^{-9}$ Torr   $1 \cdot 10^{-8}$ mbar
Connection flange	DN 100 ISO-K
Material	Stainless steel: Flange 1.4301/304; Bellows 316L
Temperature range max.	300 °C   572 °F   573.15 K
Temperature range min.	196 °C   320.8 °F   77.15 K

<b>Order number</b>	<b>Corrugated hose, flexible, annealed; stainless steel; DN 100 ISO-K, length 1000 mm</b>
Corrugated hose, flexible, annealed; stainless steel; DN 100 ISO-K, length 1000 mm	320SWG100-1000



Errors and/or changes excepted. - 5/14/2025

Are you looking for an optimum vacuum solution?

Talk to us:

**Pfeiffer Vacuum Components & Solutions GmbH Germany**

**T +49 551 99963-0**

**info-cs@pfeiffer-vacuum.com**

Or scan the barcode, to visit our web page:



<https://webportal.pfeiffer-vacuum.com/global/en/contact>

Follow Us On Social Media

#pfeiffervacuum



[www.pfeiffer-vacuum.com](http://www.pfeiffer-vacuum.com)

**PFEIFFER** 