

**Straight reducing piece,
aluminum EN AW-
6082/3.2315, DN 50-
25 ISO-KF, length 40
mm**



PFEIFFER 

Reducing piece, straight

PFEIFFER 

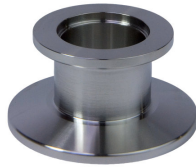
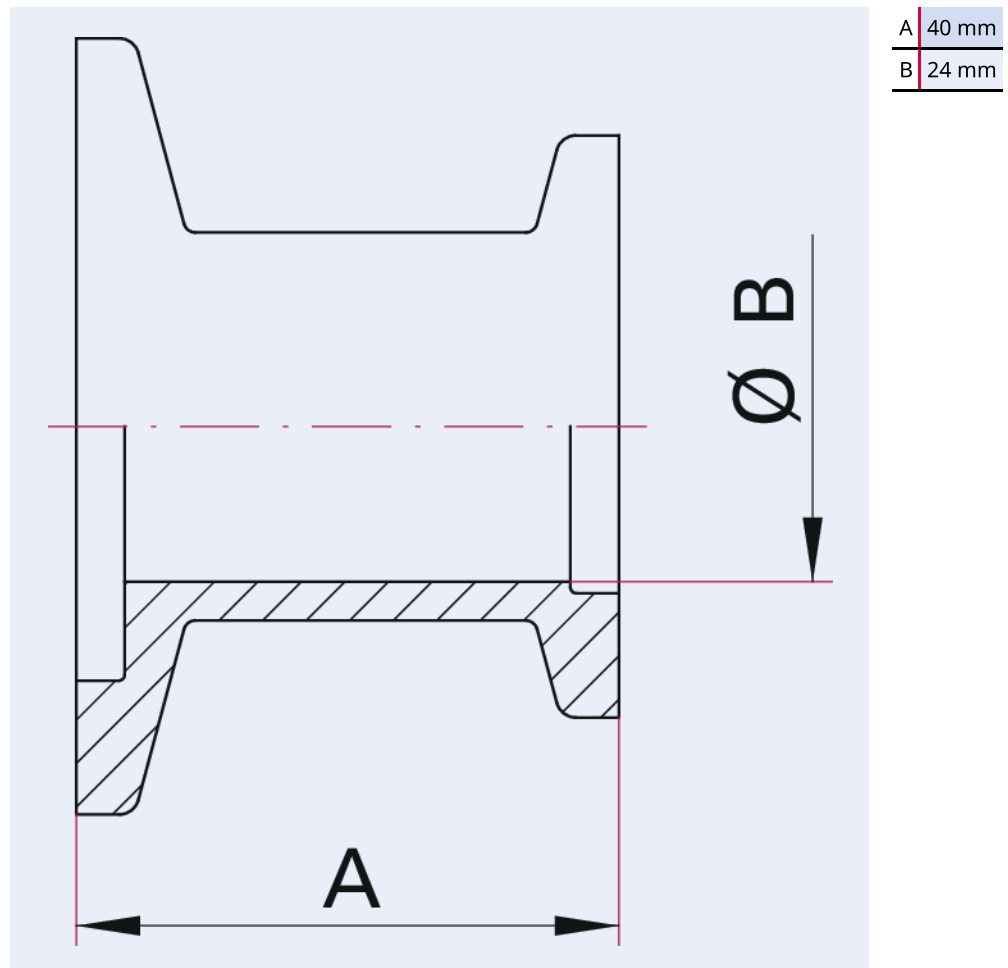


Illustration only

Straight reducing piece, aluminum EN AW-6082/3.2315, DN 50-25 ISO-KF, length 40 mm

- Available in stainless steel or aluminum

Dimensions



Technical Data	Straight reducing piece, aluminum EN AW-6082/3.2315, DN 50-25 ISO-KF, length 40 mm
Materials in contact with media	Aluminum 3.2315/EN AW-6082
Nominal diameter reduced	DN 25 ISO-KF
Temperature range	196 – 150 °C
Connection flange	DN 50 ISO-KF – DN 25 ISO-KF
Pressure range	$1 \cdot 10^{-8}$ hPa – $5 \cdot 10^2$ hPa over pressure
Temperature range max.	150 °C 302 °F 423.15 K
Temperature range min.	196 °C 320.8 °F 77.15 K

Order number	Straight reducing piece, aluminum EN AW-6082/3.2315, DN 50-25 ISO-KF, length 40 mm
Straight reducing piece, aluminum EN AW-6082/3.2315, DN 50-25 ISO-KF, length 40 mm	110RRG050-025-40



Errors and/or changes excepted. - 5/14/2025

Are you looking for an optimum vacuum solution?
Talk to us:
Pfeiffer Vacuum Components & Solutions GmbH Germany
T +49 551 99963-0
info-cs@pfeiffer-vacuum.com

Or scan the barcode, to visit our web page:



<https://webportal.pfeiffer-vacuum.com/global/en/contact>

Follow Us On Social Media
#pfeiffervacuum



www.pfeiffer-vacuum.com

PFEIFFER 