

Claw clamp, zinc-plated steel, DN 160-250 ISO-K



Claw clamp

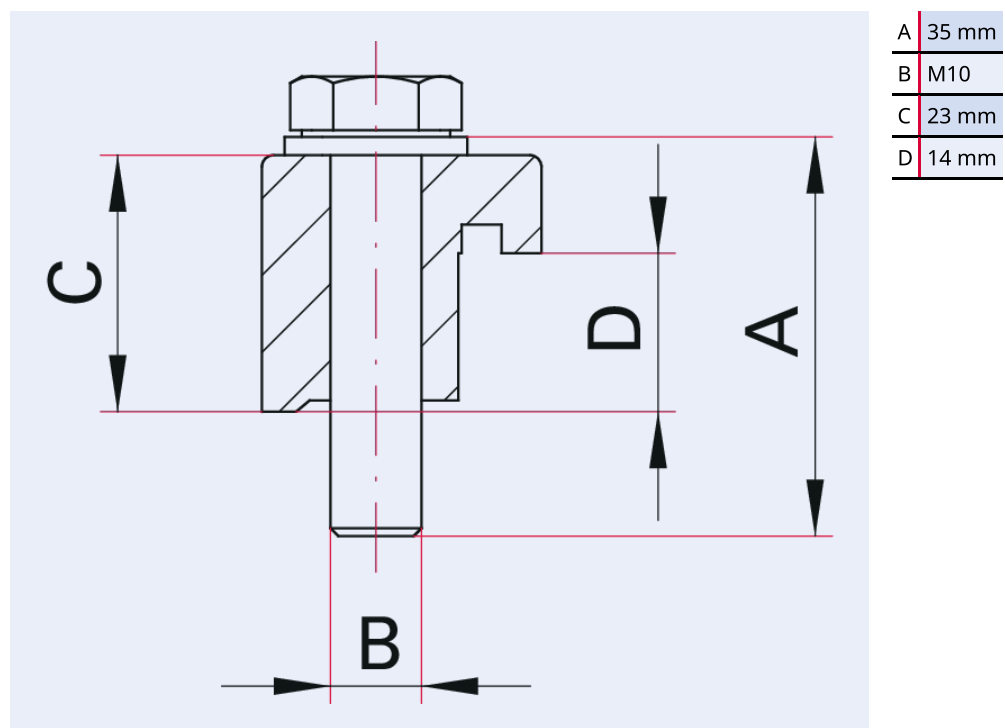


Illustration only

Claw clamp, zinc-plated steel, DN 160-250 ISO-K

- Zinc-plated and stainless steel versions: Suitable for use with metal and elastomer seals
- Aluminum version: Suitable for use with elastomer seals
- For installing an ISO-K flange on a base plate with a centering ring lying on it
- For a base plate with O-ring groove, please use the shorter claw clamp for the base plate with the sealing groove (BPD)
- Not to be used for the installation of turbo pumps! Use the fastening elements given in the corresponding operating instructions.

Dimensions



Technical Data	Claw clamp, zinc-plated steel, DN 160-250 ISO-K
Temperature range	0 – 200 °C
Connection flange	DN 160 ISO-K
Material	Zinc-plated steel
Temperature range max.	200 °C 392 °F 473.15 K
Temperature range min.	0 °C 32 °F 273.15 K

Order number	Claw clamp, zinc-plated steel, DN 160-250 ISO-K
Claw clamp, zinc-plated steel, DN 160-250 ISO-K	350BPR250



Errors and/or changes excepted. - 5/14/2025

Are you looking for an optimum vacuum solution?

Talk to us:

Pfeiffer Vacuum Components & Solutions GmbH Germany

T +49 551 99963-0

info-cs@pfeiffer-vacuum.com

Or scan the barcode, to visit our web page:



<https://webportal.pfeiffer-vacuum.com/global/en/contact>

Follow Us On Social Media

#pfeiffervacuum



www.pfeiffer-vacuum.com

PFEIFFER 