

**Z-Axis precision
manipulator, 150 mm
stroke, stainless steel,
DN 63 CF**



PFEIFFER 

Z-Axis manipulator

PFEIFFER 

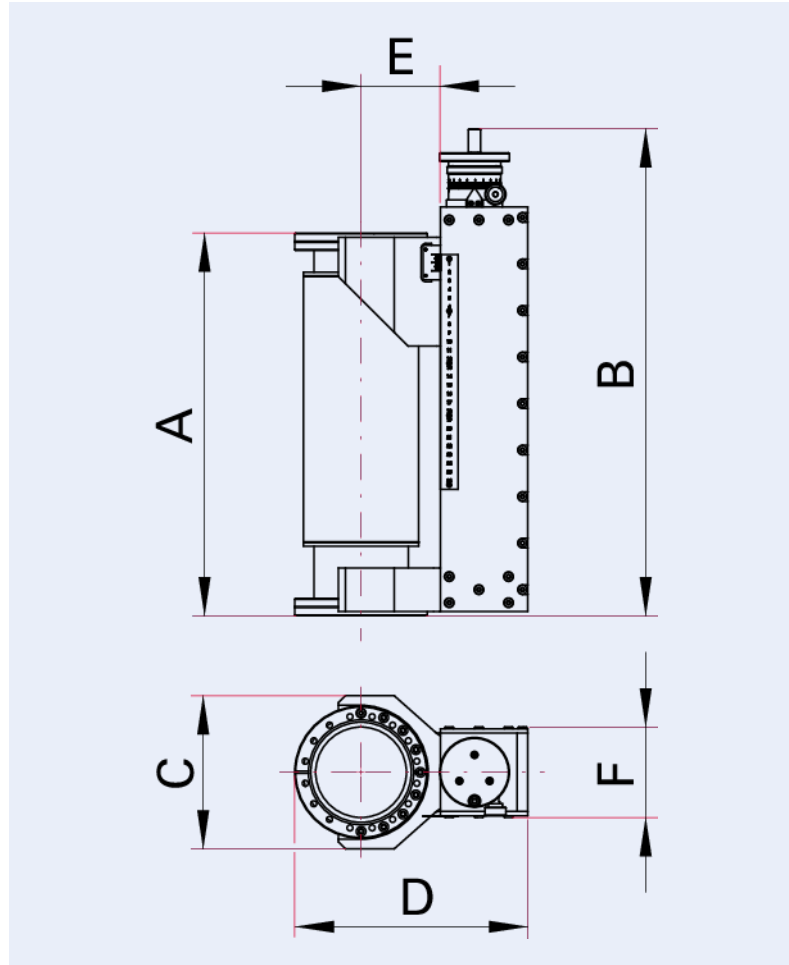


Illustration only

Z-Axis precision manipulator, 150 mm stroke, stainless steel, DN 63 CF

- Recirculating ball bearing guides and recirculating ball screw drive
- Zero backlash and no slip-stick effect
- Guide and drive are wear-free and maintenance-free
- Extremely stable design concept minimizes position offset due to pressure changes
- Fixing brake prevents independent movement
- Connection flange with through holes, traversable flange with threaded holes
- Adjustable zero set point

Dimensions



A	150 - 300 mm
B	420 mm
C	128 mm
D	217 mm
E	70 mm
F	82 mm

Technical Data	Z-Axis precision manipulator, 150 mm stroke, stainless steel, DN 63 CF
Pitch of ball screw drive	2 mm/Rotation
Bellows guidance necessary	No
Operating temperature	-15 – 80 °C
Mounting orientation	Arbitrary
Tightness	$<1 \cdot 10^{-11}$ Pa m ³ /s $<7.5 \cdot 10^{-11}$ Torr l/s $<1 \cdot 10^{-10}$ mbar l/s
Stroke	150 mm 5.905515 inch
Maximum allowable payload	20 kg 44.09 lb
Resolution	5 µm
Repeatable precision	5 µm
Connection flange	DN 63 CF
Pressure range	$1 \cdot 10^{-10}$ hPa – to ambient pressure
Inner diameter	DN 40: 38 mm; DN 63: 65 mm; DN 100: 102 mm
Material	Stainless steel (bellows: 316L, flange and tube 304L, housing 304)

Order number	Z-Axis precision manipulator, 150 mm stroke, stainless steel, DN 63 CF
Z-Axis precision manipulator, 150 mm stroke, stainless steel, DN 63 CF	420MZA063-150



Errors and/or changes excepted. - 5/14/2025

Are you looking for an optimum vacuum solution?
Talk to us:
Pfeiffer Vacuum Components & Solutions GmbH Germany
T +49 551 99963-0
info-cs@pfeiffer-vacuum.com

Or scan the barcode, to visit our web page:



<https://webportal.pfeiffer-vacuum.com/global/en/contact>

Follow Us On Social Media
#pfeiffervacuum



www.pfeiffer-vacuum.com

PFEIFFER 