



**Half nipple, stainless
steel 1.4301/304,
DN 100 ISO-K**



PFEIFFER 

Half nipple

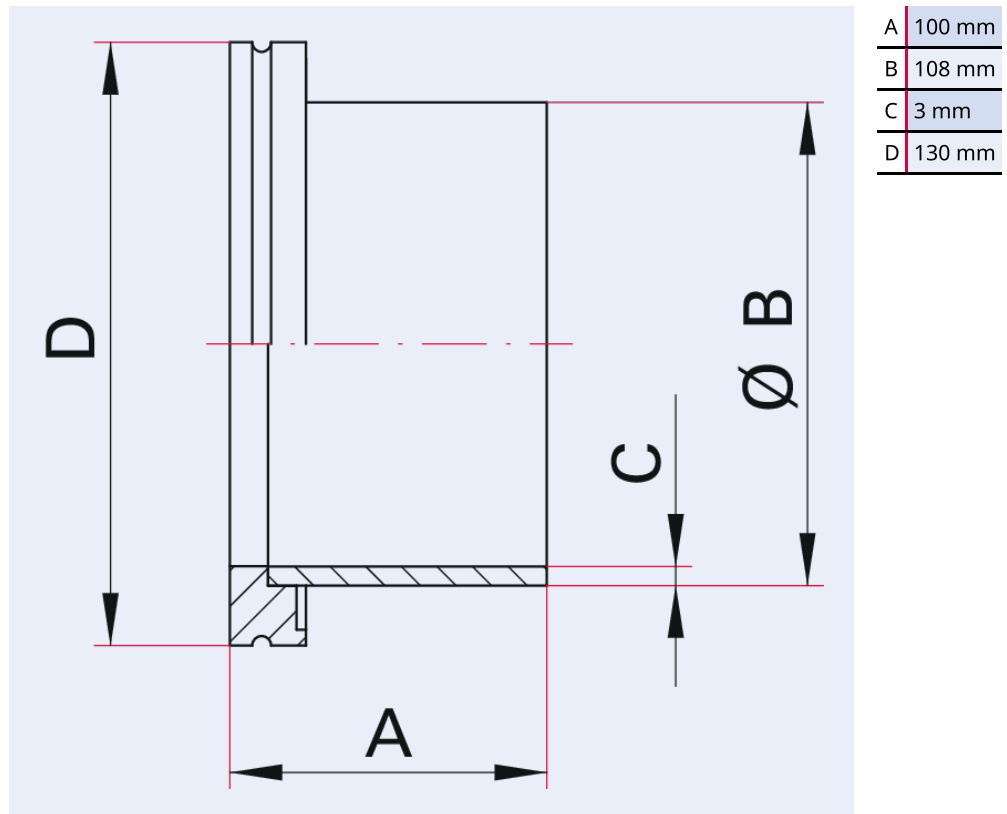
PFEIFFER 



Illustration only

Half nipple, stainless steel 1.4301/304, DN 100 ISO-K

Dimensions



Technical Data	Half nipple, stainless steel 1.4301/304, DN 100 ISO-K
Pipe dimension	108 mm × 3 mm
Temperature range	196 – 300 °C
Connection flange	DN 100 ISO-K
Pressure range	1 · 10 ⁻⁸ hPa – 1.5 · 10 ³ hPa over pressure (elastomer seal); 1 · 10 ⁻⁹ hPa – 1.5 · 10 ³ hPa over pressure (metal seal)
Material	Flange: stainless steel 1.4301/304; tube: stainless steel 1.4301/304 or better
Temperature range max.	300 °C 572 °F 573.15 K
Temperature range min.	196 °C 320.8 °F 77.15 K

Order number	Half nipple, stainless steel 1.4301/304, DN 100 ISO-K
Half nipple, stainless steel 1.4301/304, DN 100 ISO-K	320FRA100-108-100



Errors and/or changes excepted. - 5/14/2025

Are you looking for an optimum vacuum solution?

Talk to us:

Pfeiffer Vacuum Components & Solutions GmbH Germany

T +49 551 99963-0

info-cs@pfeiffer-vacuum.com

Or scan the barcode, to visit our web page:



<https://webportal.pfeiffer-vacuum.com/global/en/contact>

Follow Us On Social Media

#pfeiffervacuum



www.pfeiffer-vacuum.com

PFEIFFER 