

# Thermocouple feedthrough, type K, 1 pair, DN 16 CF

---



**PFEIFFER** 

# Thermocouple feedthrough, type K

PFEIFFER 

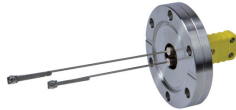
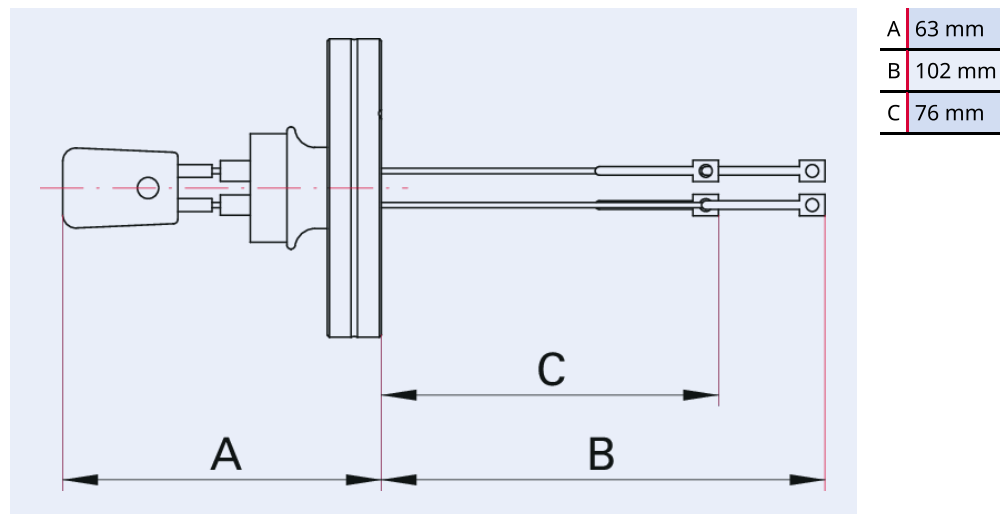


Illustration only

## Thermocouple feedthrough, type K, 1 pair, DN 16 CF

- 1 Thermocouple pair type K: Chromel (+) /Alumel (-)
- Thermocouple types C, E, J, T, N, R, S on request
- Vacuum-side lugs with screw connections for the thermo wire (including screws)
- Including atmosphere sided miniature plug (-65 to 125 °C)

## Dimensions



## Technical Data

Technical Data	Thermocouple feedthrough, type K, 1 pair, DN 16 CF
Materials in contact with media	Flange: Stainless steel
Temperature range (vacuum side)	100 – 300 °C
Tightness	$1 \cdot 10^{-11}$ Pa m <sup>3</sup> /s   $7.5 \cdot 10^{-11}$ Torr l/s   $1 \cdot 10^{-10}$ mbar l/s
Heat up and cool down rate	≤20 K/min
Connection flange	DN 16 CF
Pressure range	$1 \cdot 10^{-11}$ hPa – to ambient pressure

<b>Order number</b>	<b>Thermocouple feedthrough, type K, 1 pair, DN 16 CF</b>
Thermocouple feedthrough, type K, 1 pair, DN 16 CF	420XTK016-1



Errors and/or changes excepted. - 5/14/2025

Are you looking for an optimum vacuum solution?

Talk to us:

**Pfeiffer Vacuum Components & Solutions GmbH Germany**

**T +49 551 99963-0**

**info-cs@pfeiffer-vacuum.com**

Or scan the barcode, to visit our web page:



<https://webportal.pfeiffer-vacuum.com/global/en/contact>

Follow Us On Social Media

#pfeiffervacuum



[www.pfeiffer-vacuum.com](http://www.pfeiffer-vacuum.com)

**PFEIFFER** 