

**Z-Axis precision  
manipulator, 150 mm  
stroke, stainless steel,  
DN 40 CF**

---



**PFEIFFER** 

# Z-Axis manipulator

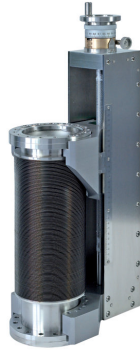
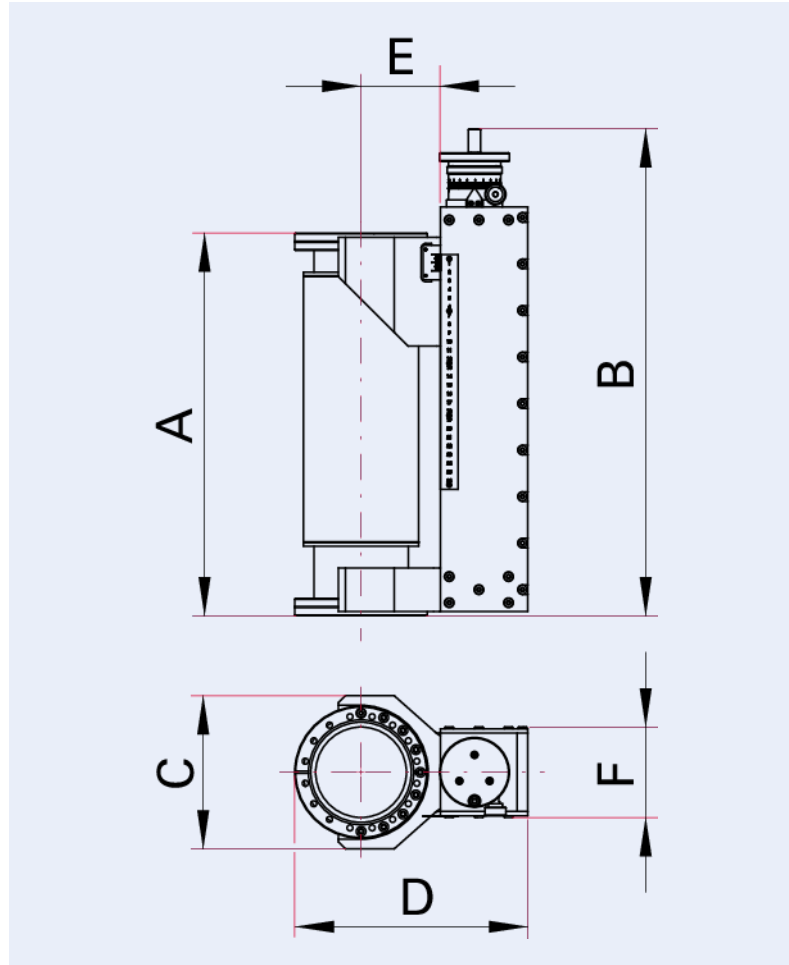


Illustration only

## **Z-Axis precision manipulator, 150 mm stroke, stainless steel, DN 40 CF**

- Recirculating ball bearing guides and recirculating ball screw drive
- Zero backlash and no slip-stick effect
- Guide and drive are wear-free and maintenance-free
- Extremely stable design concept minimizes position offset due to pressure changes
- Fixing brake prevents independent movement
- Connection flange with through holes, traversable flange with threaded holes
- Adjustable zero set point

## Dimensions



A	150 - 300 mm
B	420 mm
C	84 mm
D	175 mm
E	50 mm
F	82 mm

<b>Technical Data</b>	<b>Z-Axis precision manipulator, 150 mm stroke, stainless steel, DN 40 CF</b>
Pitch of ball screw drive	2 mm/Rotation
Bellows guidance necessary	No
Operating temperature	-15 – 80 °C
Mounting orientation	Arbitrary
Tightness	<math>1 \cdot 10^{-11}</math> Pa m <sup>3</sup> /s   <math>7.5 \cdot 10^{-11}</math> Torr l/s   <math>1 \cdot 10^{-10}</math> mbar l/s
Stroke	150 mm   5.905515 inch
Maximum allowable payload	20 kg   44.09 lb
Resolution	5 μm
Repeatable precision	5 μm
Connection flange	DN 40 CF
Pressure range	$1 \cdot 10^{-10}$ hPa – to ambient pressure
Inner diameter	DN 40: 38 mm; DN 63: 65 mm; DN 100: 102 mm
Material	Stainless steel (bellows: 316L, flange and tube 304L, housing 304)

<b>Order number</b>	<b>Z-Axis precision manipulator, 150 mm stroke, stainless steel, DN 40 CF</b>
Z-Axis precision manipulator, 150 mm stroke, stainless steel, DN 40 CF	420MZA040-150



Errors and/or changes excepted. - 5/14/2025

Are you looking for an optimum vacuum solution?

Talk to us:

**Pfeiffer Vacuum Components & Solutions GmbH Germany**

**T +49 551 99963-0**

**info-cs@pfeiffer-vacuum.com**

Or scan the barcode, to visit our web page:



<https://webportal.pfeiffer-vacuum.com/global/en/contact>

Follow Us On Social Media

#pfeiffervacuum



[www.pfeiffer-vacuum.com](http://www.pfeiffer-vacuum.com)

**PFEIFFER** 