

**CF to Swagelok®-  
adapter, flange  
stainless steel 304L,  
DN 16 CF, 1/8"**

---

**PFEIFFER** 

# CF to Swagelok® adapter

PFEIFFER ➤

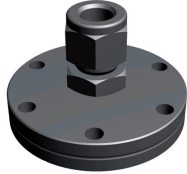
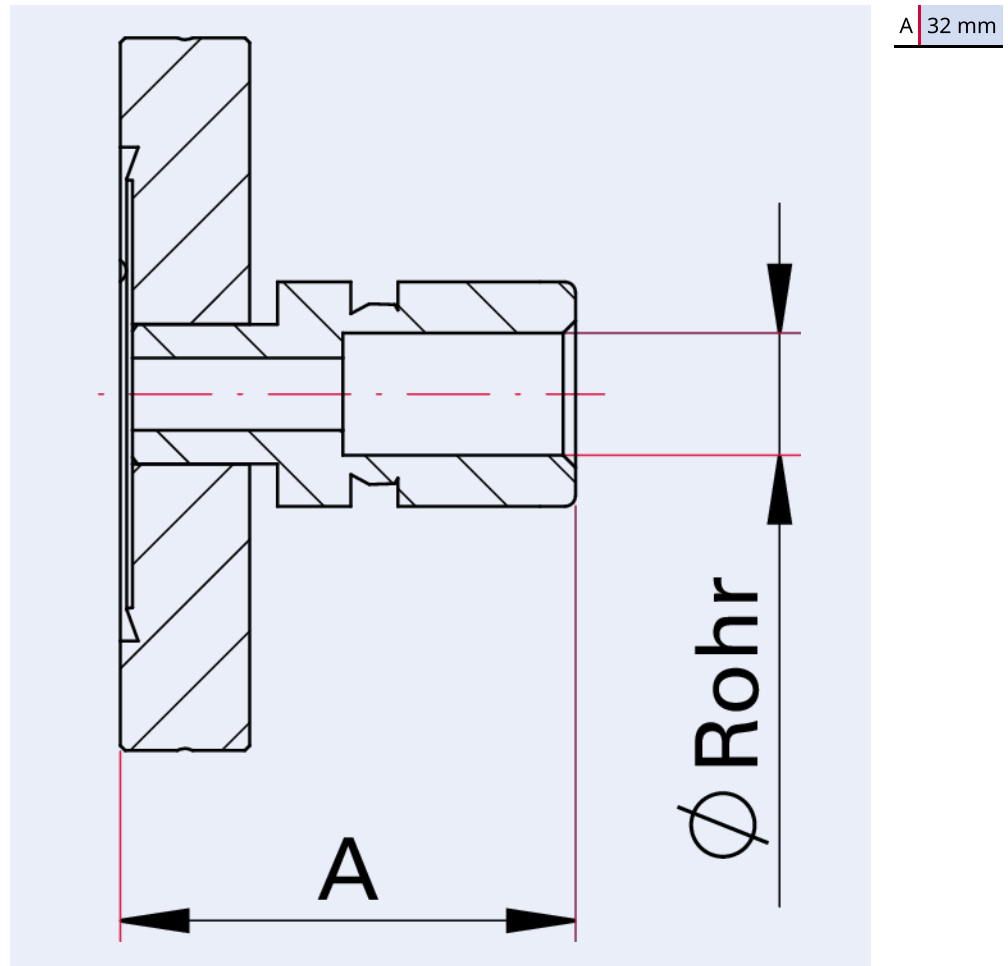


Illustration only

## **CF to Swagelok®-adapter, flange stainless steel 304L, DN 16 CF, 1/8"**

- For metric and imperial (inch) tube diameters
- Original Swagelok® clamping collar fitting
- Other flanges sizes and pipe diameters on request

## Dimensions



Technical Data	CF to Swagelok®-adapter, flange stainless steel 304L, DN 16 CF, 1/8"
Pipe external diameter	1/8"
Temperature range	196 – 300 °C
Connection flange	DN 16 CF
Pressure range	$1 \cdot 10^{-9}$ hPa – to ambient pressure
Material	Stainless steel 304L (Flange)
Temperature range max.	300 °C   572 °F   573.15 K
Temperature range min.	196 °C   320.8 °F   77.15 K

Order number	CF to Swagelok®-adapter, flange stainless steel 304L, DN 16 CF, 1/8"
CF to Swagelok®-adapter, flange stainless steel 304L, DN 16 CF, 1/8"	420ASW016-0125



Errors and/or changes excepted. - 5/14/2025

Are you looking for an optimum vacuum solution?

Talk to us:

**Pfeiffer Vacuum Components & Solutions GmbH Germany**

**T +49 551 99963-0**

**info-cs@pfeiffer-vacuum.com**

Or scan the barcode, to visit our web page:



<https://webportal.pfeiffer-vacuum.com/global/en/contact>

Follow Us On Social Media

#pfeiffervacuum



[www.pfeiffer-vacuum.com](http://www.pfeiffer-vacuum.com)

**PFEIFFER** 