



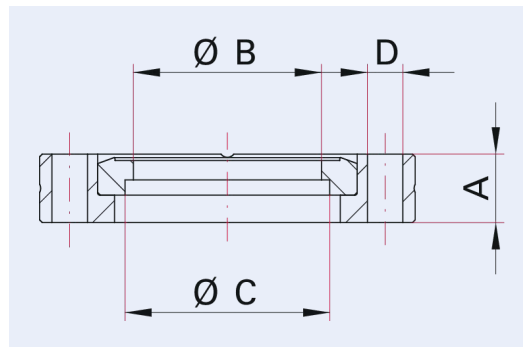
# Welding flange, rotatable



Illustration only

**Welding flange, rotatable with imperial (Inch) thread, stainless steel 304L, DN 16 CF**

## Dimensions



A	7.75 mm
B	15.75 mm
C	19.2 mm
D	8 - 32 mm
D_number min. D_number min.	8

Technical Data	Welding flange, rotatable with imperial (Inch) thread, stainless steel 304L, DN 16 CF
Materials in contact with media	Stainless steel (AISI 304L)
Number of screws	6 Pieces
Pipe dimension	19.05 mm × 1.65 mm
Thread	N 8 - 32 UNC
Temperature range	196 - 300 °C
Connection flange	DN 16 CF
Pressure range	1 · 10 <sup>-12</sup> hPa - to ambient pressure
Temperature range max.	300 °C   572 °F   573.15 K
Temperature range min.	196 °C   320.8 °F   77.15 K

Order number	Welding flange, rotatable with imperial (Inch) thread, stainless steel 304L, DN 16 CF
Welding flange, rotatable with imperial (Inch) thread, stainless steel 304L, DN 16 CF	420FAD016-19-T



Errors and/or changes excepted. - 5/14/2025

Are you looking for an optimum vacuum solution?

Talk to us:

**Pfeiffer Vacuum Components & Solutions GmbH Germany**

**T +49 551 99963-0**

**info-cs@pfeiffer-vacuum.com**

Or scan the barcode, to visit our web page:



<https://webportal.pfeiffer-vacuum.com/global/en/contact>

Follow Us On Social Media

#pfeiffervacuum



[www.pfeiffer-vacuum.com](http://www.pfeiffer-vacuum.com)

**PFEIFFER** 